

IDINI
IDINI

CATALOGUE
2005 - 2006

DECORATIVE AND FUNCTIONAL LANTERN

DECORATIVE AND FUNCTIONAL LANTERN

IMPACT

(Report No. SIRIM: 2005EL0105)

Tested by : Light Lab International (Accredited by the NATA, National Association of Testing Authorities, Australia)

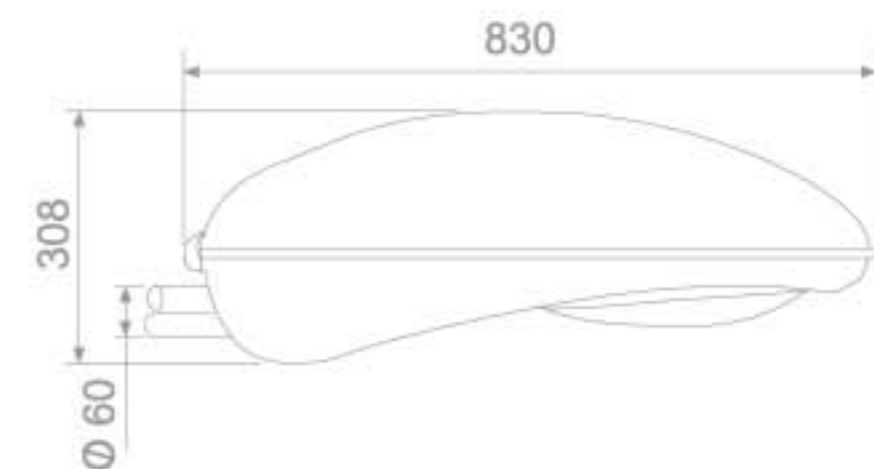
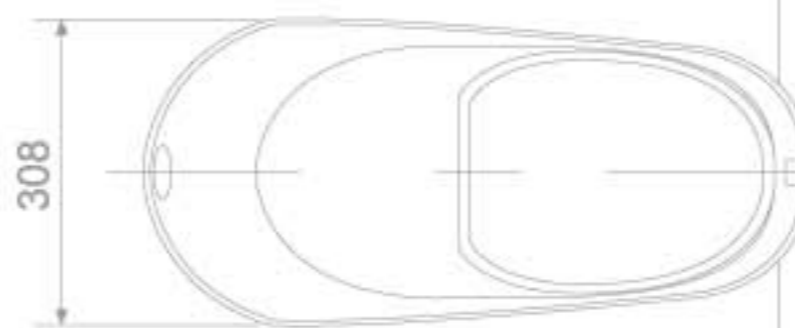
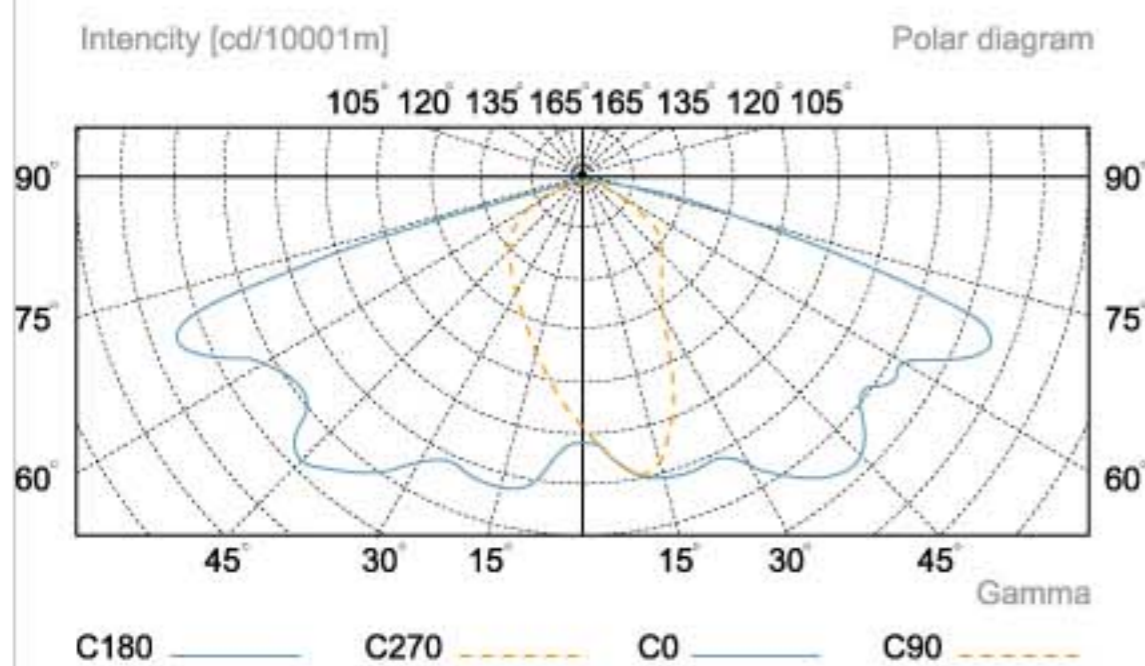
Certified Test Report No. LSA8694



IP66 Optical System

IP44 Compartment System

Polar diagram KV Light SL - 001 (400W) cone measurement



Specification

Body	: Composed of two directly joined die-cast parts with a gloss RAL 7.035 grey finish. Alternative colours of the same range to special order. Secured by a pressure lock made of anodised aluminium extrusion.
Optical System	: Made up of a Hydro-formed anodised aluminium reflector, and a High-transmittance lenticular 5mm tempered glass protection cover.
Lampholder Housing	: Made of highly heat-resistant plastic material. Includes a silicone gasket and a lamp holder.
IP Standard	: Optical System IP66 Control Gear Compartment IP44
Light Source	: 150W - 400W
Finishing	: Any RAL - colour upon request.

Key Feature

1. Application from car parks, high ways, main roads, private roads, main traffic routes in city centres.
2. Gear tray removable for easy maintenance.
3. Low glare optics minimise the spread of light above horizontal.
4. Anodised and extruded aluminium front locking clip.
5. Arm pole mounting system \varnothing 60mm x 150mm



DECORATIVE AND FUNCTIONAL LANTERN

UTOPIA

(Report No. SIRIM: 2003EL0566)

Tested by : Light Lab International (Accredited by the NATA, National Association of Testing Authorities, Australia)

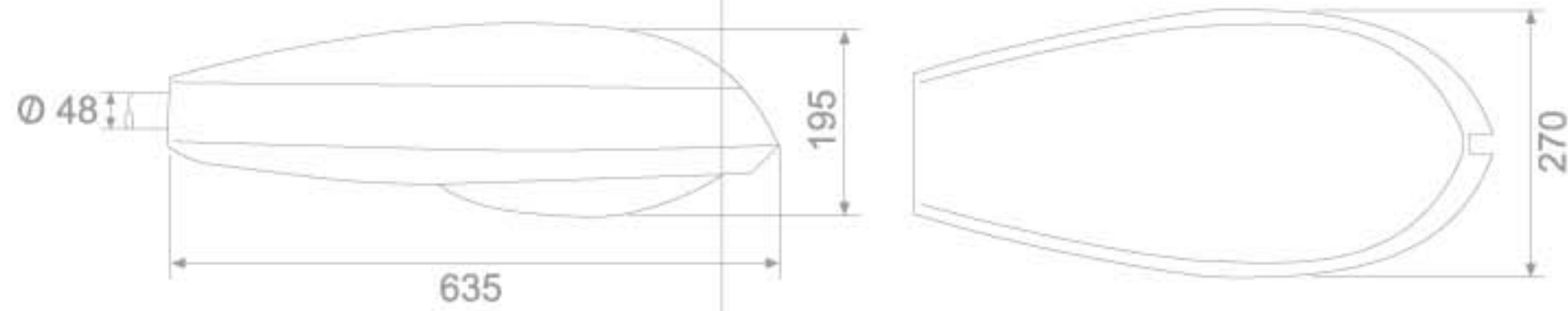
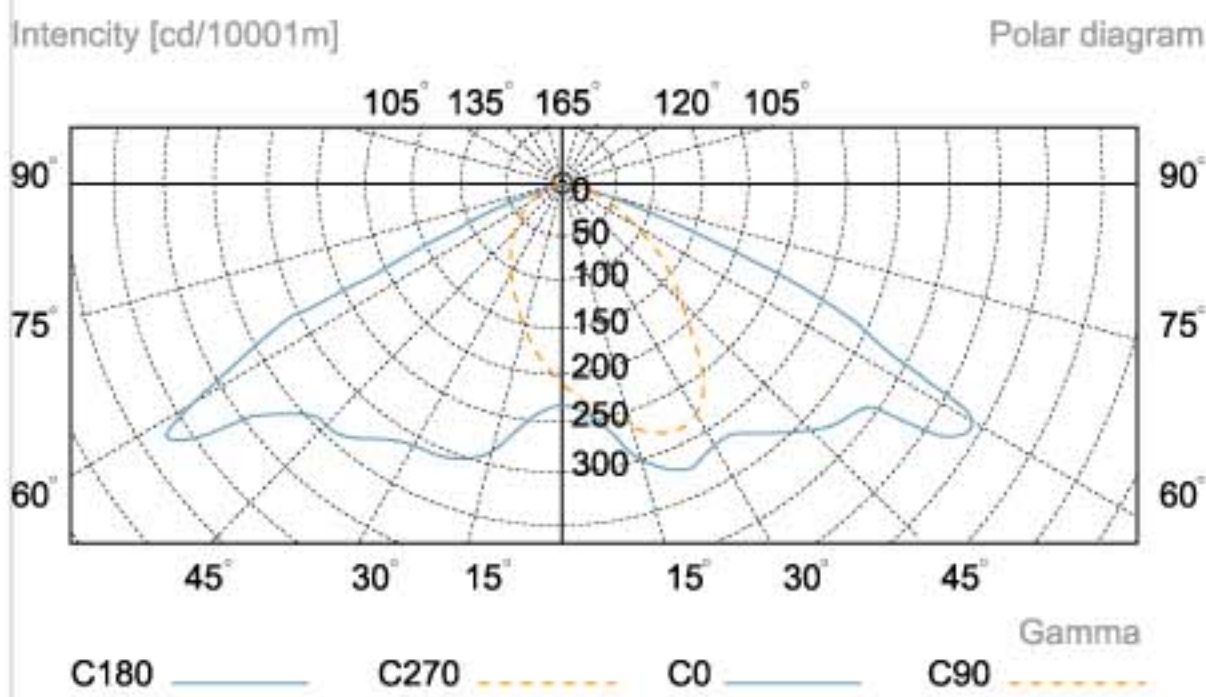
Certified Test Report No. LSA8882



IP66 Optical System

IP44 Compartment System

Polar diagram KV Light SL - 002 (250W) cone measurement



Specification

Body	: Composed of two directly joined die-cast parts with a gloss RAL 7.035 grey finish. Alternative colours of the same range to special order. Secured by a pressure lock made of anodised aluminium extrusion.
Optical System	: Made up of a Hydro-formed anodised aluminium reflector, and a High-transmittance lenticular 5mm tempered glass protection cover.
Lampholder Housing	: Made of highly heat-resistant plastic material. Includes a silicone gasket and a lamp holder.
IP Standard	: Optical System IP66 Control Gear Compartment IP44
Light Source	: 70W - 250W
Finishing	: Any RAL - colour upon request.

Key Feature

1. Application from car parks, high ways, main roads, private roads, main traffic routes in city centres.
2. Gear tray removable for easy maintenance.
3. Low glare optics minimise the spread of light above horizontal.
4. Anodised and extruded aluminium front locking clip.
5. Arm pole mounting system \varnothing 48mm x 150mm



DECORATIVE AND FUNCTIONAL LANTERN

MONOPOLI

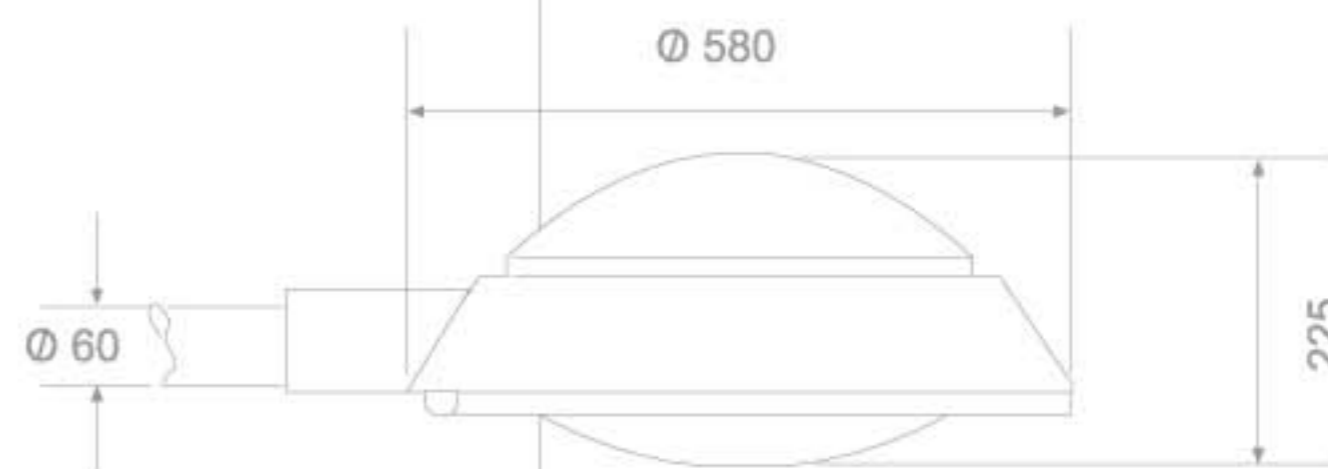
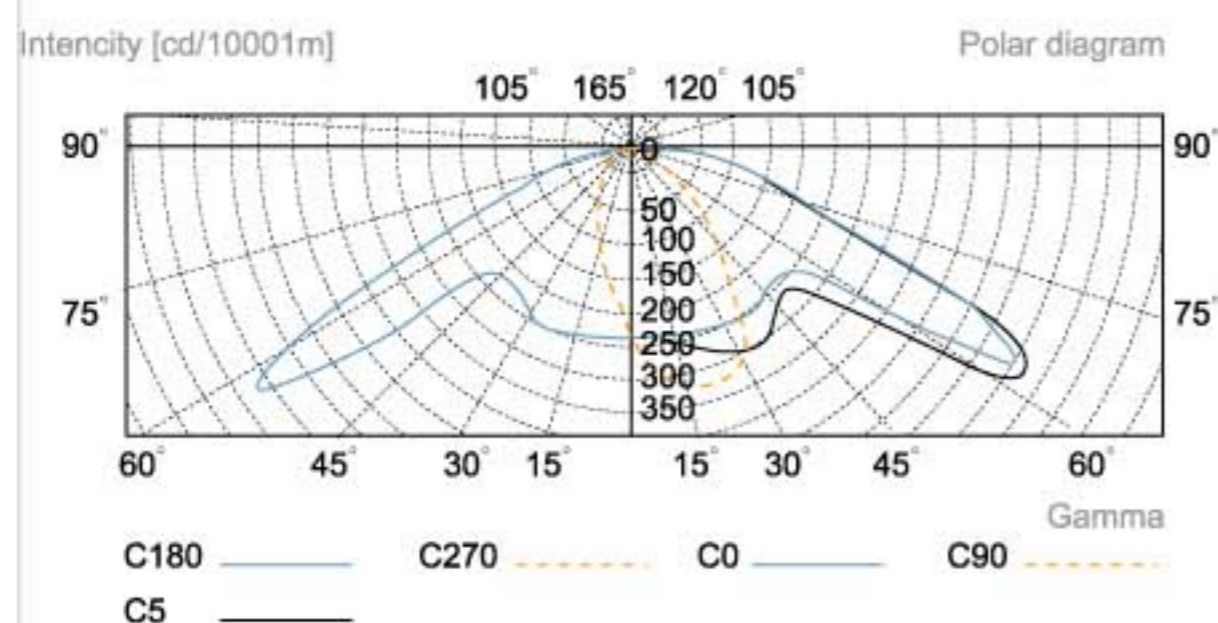
(Report No. SIRIM: 2003EL1062)



IP66 Optical System

IP44 Compartment System

Polar diagram KV Light SL - 003 (250W) cone measurement



Specification

Body	: Composed of two directly joined die-cast parts with a gloss RAL 7.035 grey finish. Alternative colours of the same range to special order. Secured by a pressure lock made of anodised aluminium extrusion.
Optical System	: Made up of a Hydro-formed anodised aluminium reflector, and a High-transmittance lenticular 5mm tempered glass protection cover.
Lampholder Housing	: Made of highly heat-resistant plastic material. Includes a silicone gasket and a lamp holder.
IP Standard	: Optical System IP66 Control Gear Compartment IP44
Light Source	: 70W - 250W
Finishing	: Any RAL - colour upon request.

Key Feature

1. Application from car parks, high ways, main roads, private roads, main traffic routes in city centres.
2. Gear tray removable for easy maintenance.
3. Low glare optics minimise the spread of light above horizontal.
4. Anodised and extruded aluminium front locking clip.
5. Arm pole mounting system \varnothing 60mm x 150mm



DECORATIVE AND FUNCTIONAL LANTERN

ATHENA

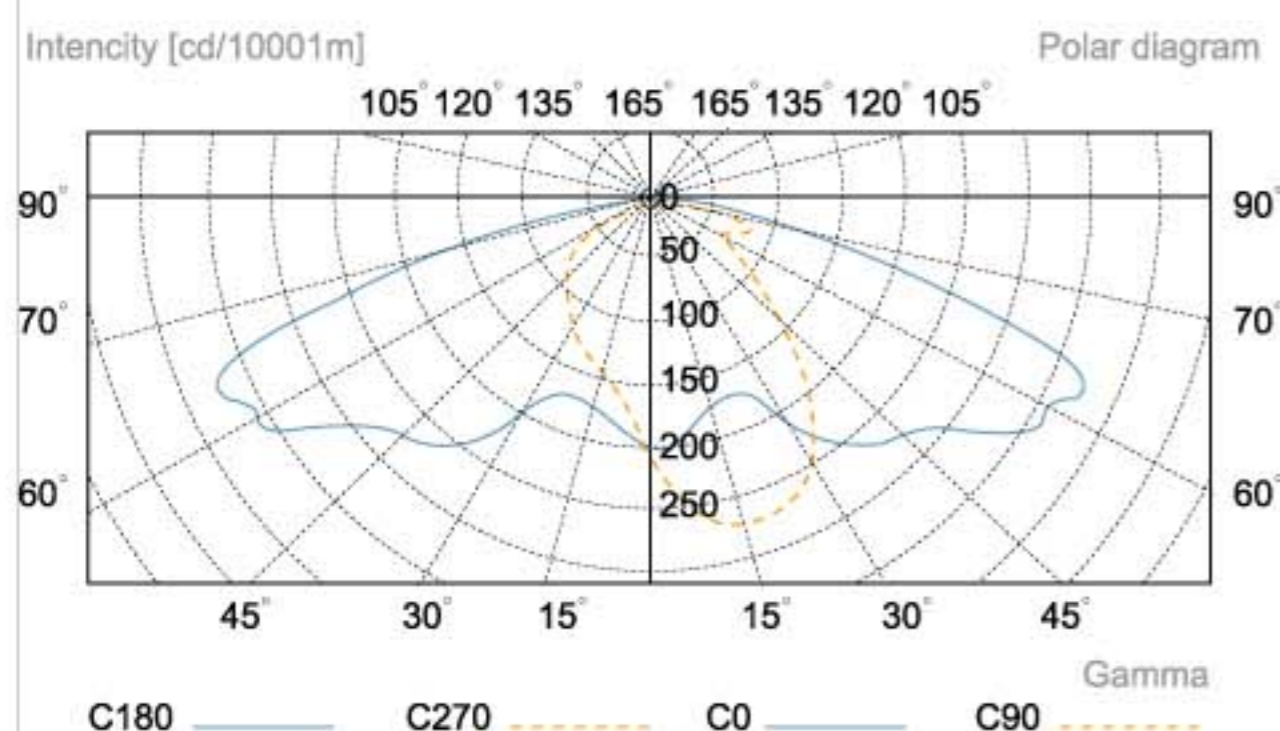
(Report No. SIRIM: 2003EL0494-S1)



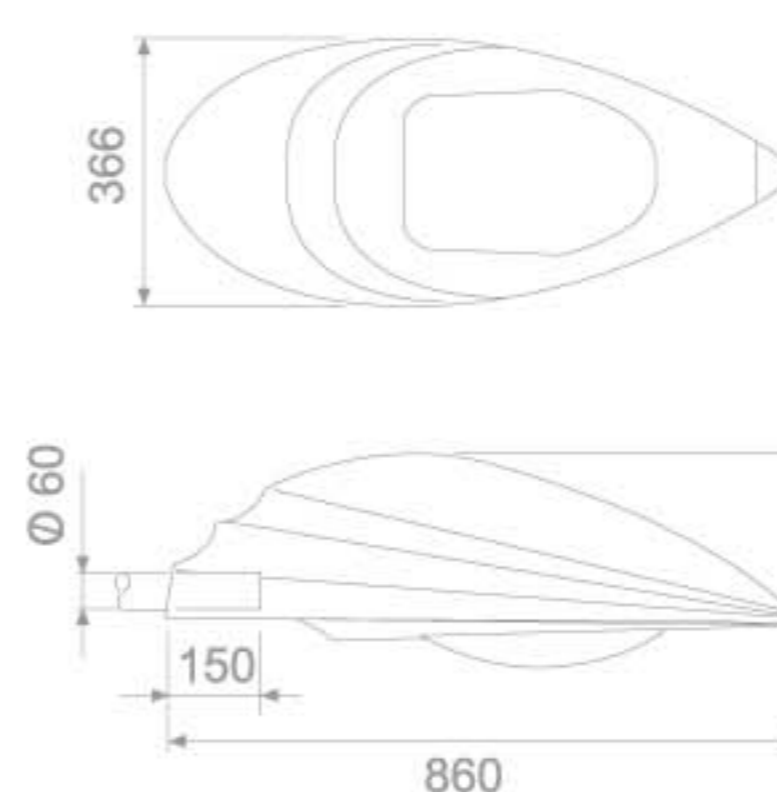
IP66 Optical System

IP44 Compartment System

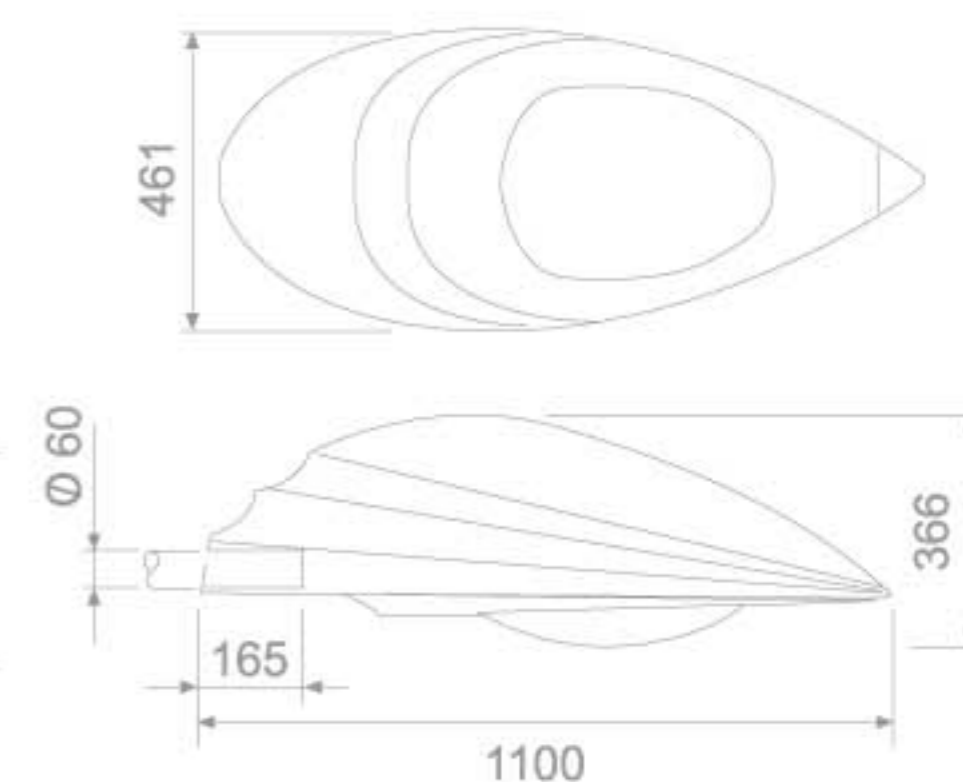
Polar diagram KV Light SL - 004 (400W) cone measurement



SL - 004 (150W - 400W)



SL - 004 (150W - 600W)



Specification

Body	: Composed of two directly joined die-cast parts with a gloss RAL 7.035 grey finish. Alternative colours of the same range to special order. Secured by a pressure lock made of anodised aluminium extrusion.
Optical System	: Made up of a Hydro-formed anodised aluminium reflector, and a High-transmittance lenticular 5mm tempered glass protection cover.
Lampholder Housing	: Made of highly heat-resistant plastic material. Includes a silicone gasket and a lamp holder.
IP Standard	: Optical System IP66 Control Gear Compartment IP44
Light Source	: 150W - 600W
Finishing	: Any RAL - colour upon request.

Key Feature

1. Application from car parks, high ways, main roads, private roads, main traffic routes in city centres.
2. Gear tray removable for easy maintenance.
3. Low glare optics minimise the spread of light above horizontal.
4. Anodised and extruded aluminium front locking clip.
5. Arm pole mounting system \varnothing 48mm x 150mm



DECORATIVE AND FUNCTIONAL LANTERN

MARGIN

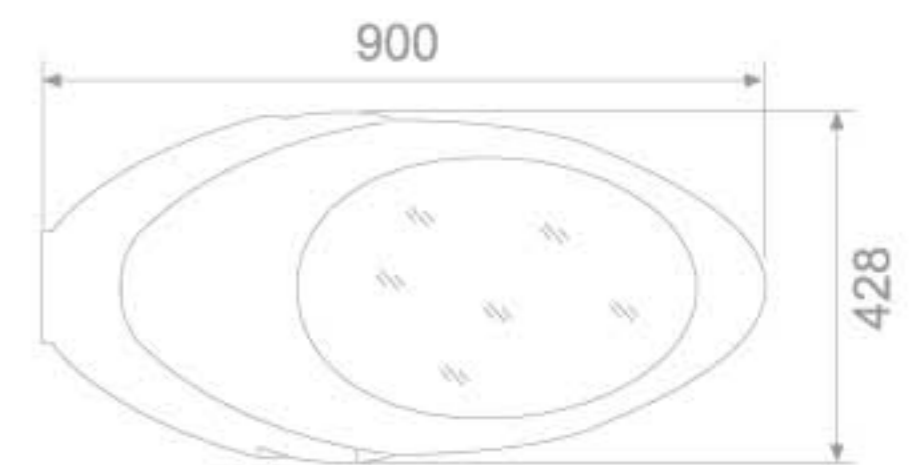
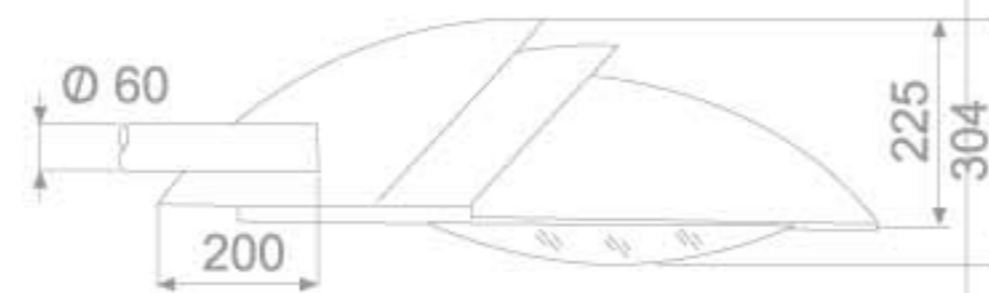
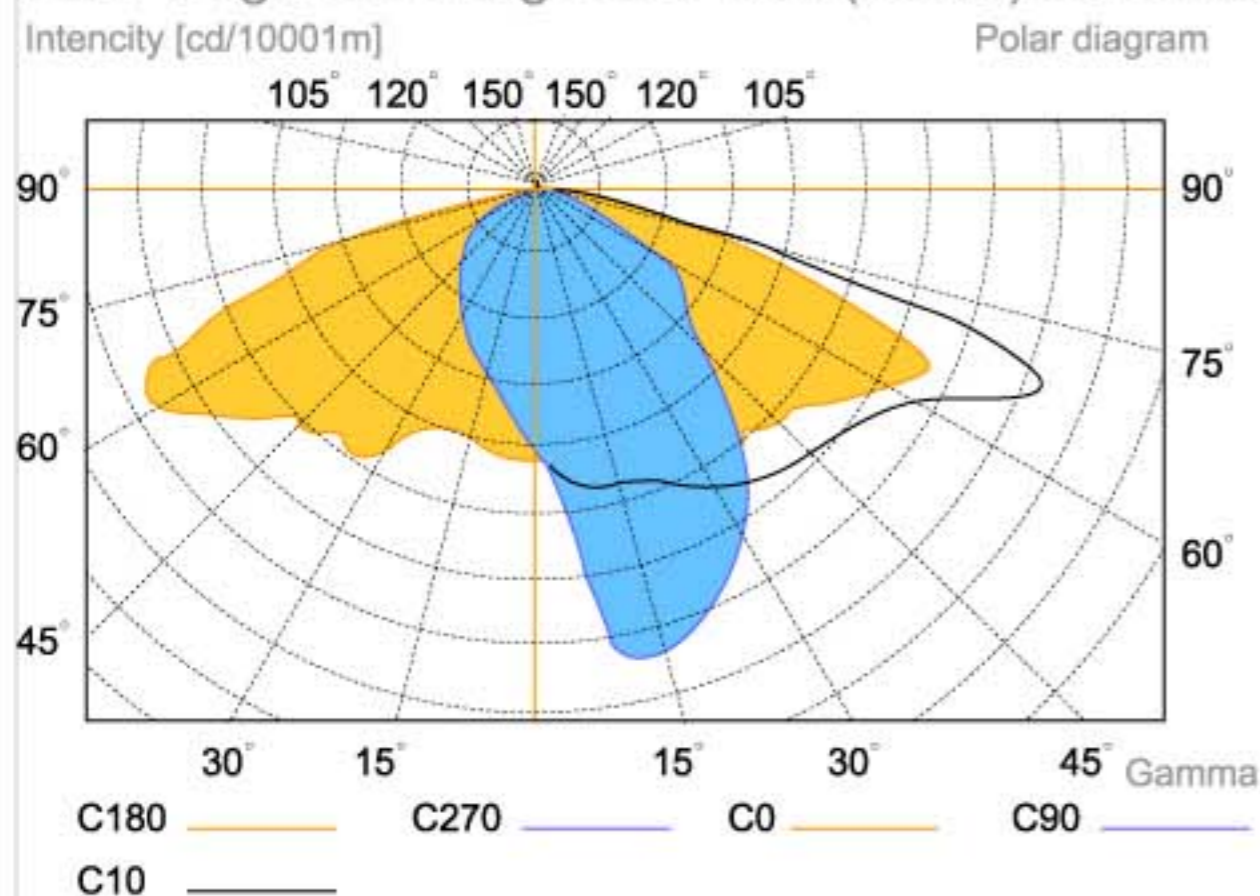
(Report No. SIRIM: 2003EL0495)



IP66 Optical System

IP44 Compartment System

Polar diagram KV Light SL - 005 (400W) cone measurement



Specification

Body	: Composed of two directly joined die-cast parts with a gloss RAL 7.035 grey finish. Alternative colours of the same range to special order. Secured by a pressure lock made of anodised aluminium extrusion.
Optical System	: Made up of a Hydro-formed anodised aluminium reflector, and a High-transmittance lenticular 5mm tempered glass protection cover.
Lampholder Housing	: Made of highly heat-resistant plastic material. Includes a silicone gasket and a lamp holder.
IP Standard	: Optical System IP66 Control Gear Compartment IP44
Light Source	: 150W - 400W
Finishing	: Any RAL - colour upon request.

Key Feature

1. Application from car parks, high ways, main roads, private roads, main traffic routes in city centres.
2. Gear tray removable for easy maintenance.
3. Low glare optics minimise the spread of light above horizontal.
4. Anodised and extruded aluminium front locking clip.
5. Arm pole mounting system \varnothing 60mm x 150mm



DECORATIVE AND FUNCTIONAL LANTERN

EVENUE

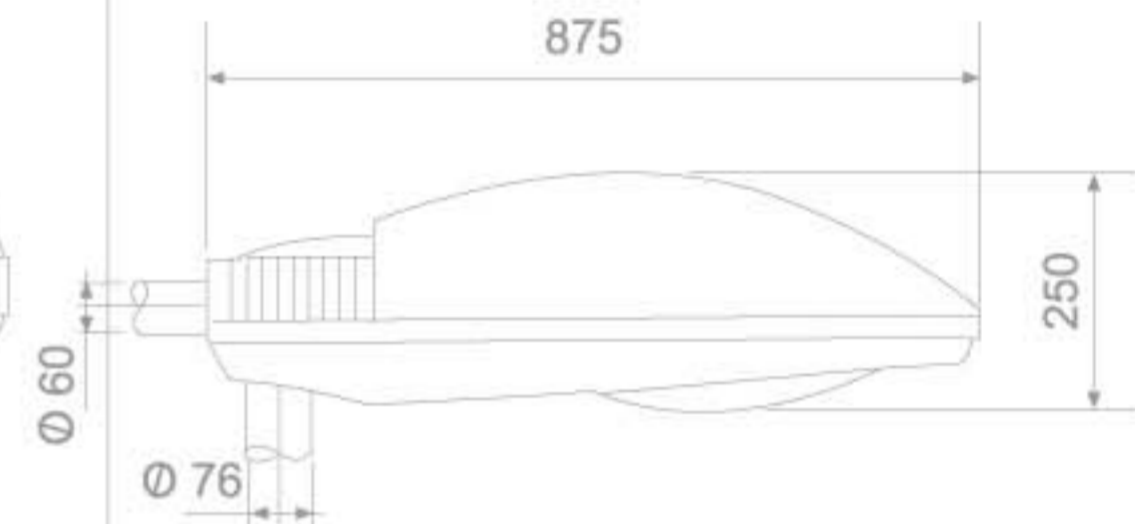
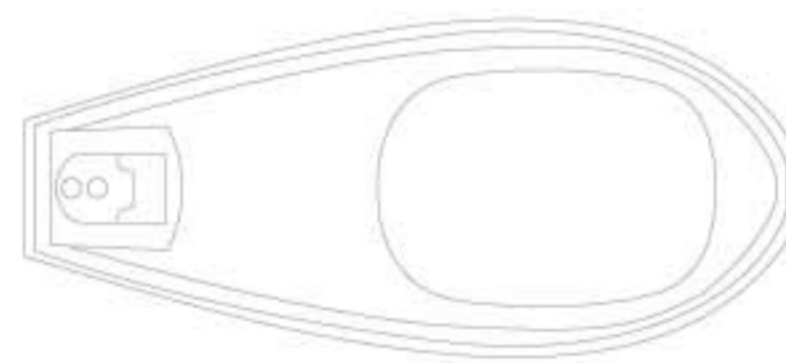
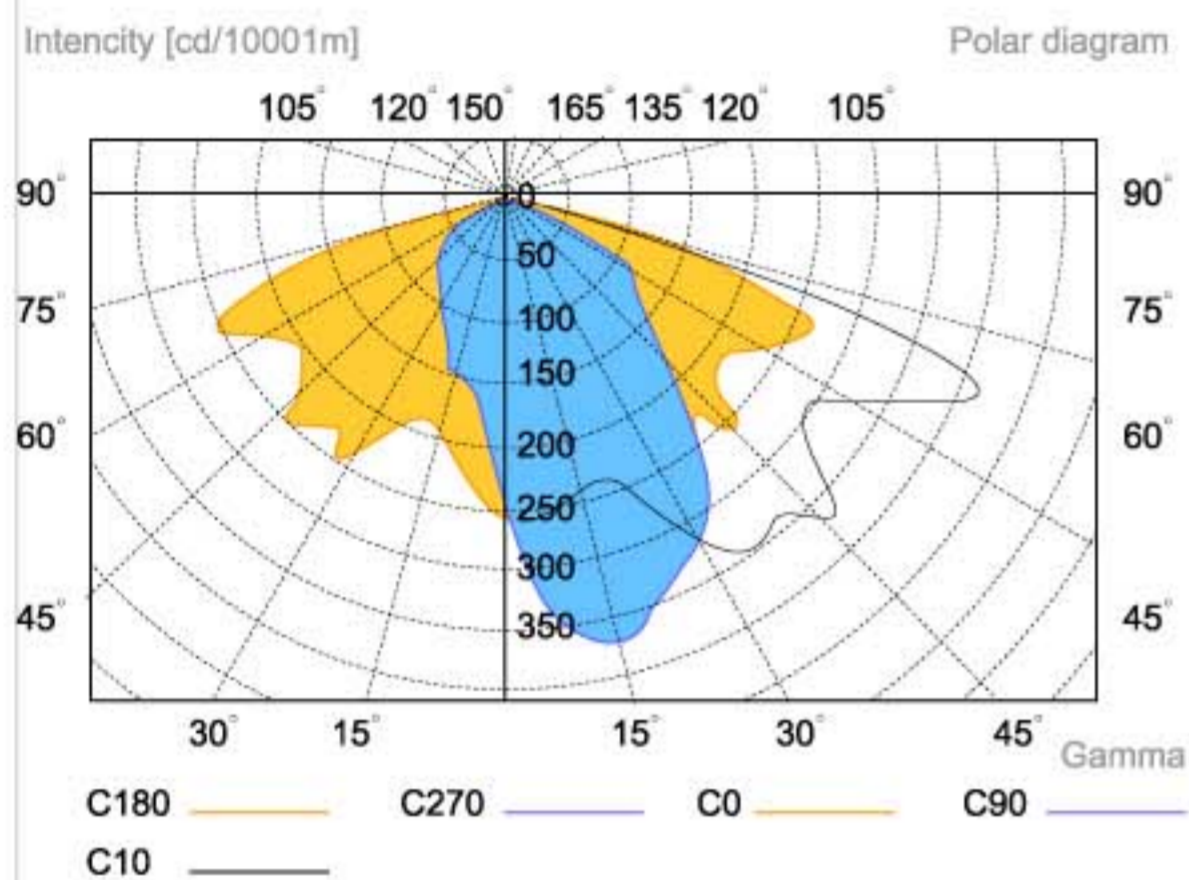
(Report No. SIRIM: 2003EL0780)



IP66 Optical System

IP44 Compartment System

Polar diagram KV Light SL - 006 (400W) cone measurement



Specification

Body	: Composed of two directly joined die-cast parts with a gloss RAL 7.035 grey finish. Alternative colours of the same range to special order. Secured by a pressure lock made of anodised aluminium extrusion.
Optical System	: Made up of a Hydro-formed anodised aluminium reflector, and a High-transmittance lenticular 5mm tempered glass protection cover.
Lampholder Housing	: Made of highly heat-resistant plastic material. Includes a silicone gasket and a lamp holder.
IP Standard	: Optical System IP66 Control Gear Compartment IP44
Light Source	: 150W - 400W
Finishing	: Any RAL - colour upon request.

Key Feature

1. Application from car parks, high ways, main roads, private roads, main traffic routes in city centres.
2. Gear tray removable for easy maintenance.
3. Low glare optics minimise the spread of light above horizontal.
4. Anodised and extruded aluminium front locking clip.
5. Arm pole mounting system \varnothing 60mm x 150mm



DECORATIVE AND FUNCTIONAL LANTERN

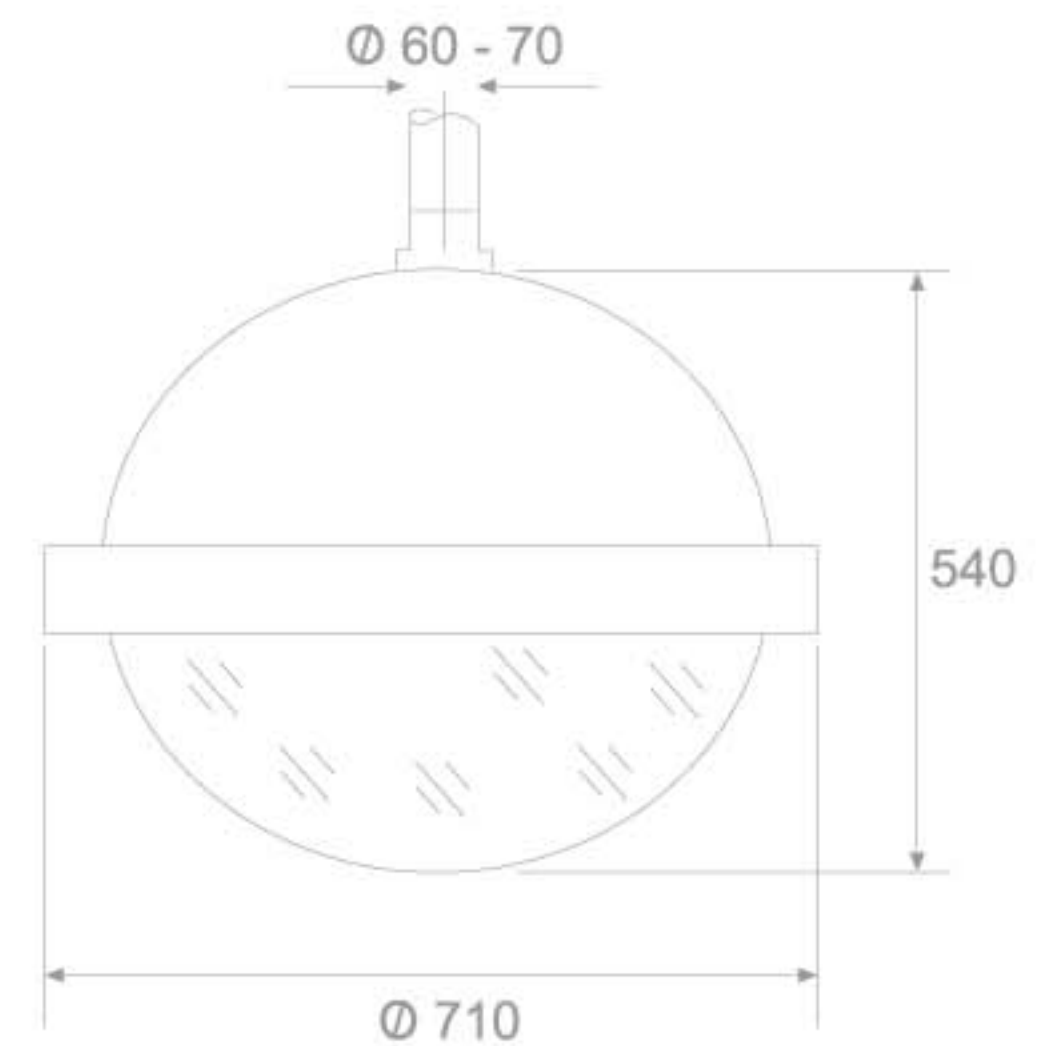
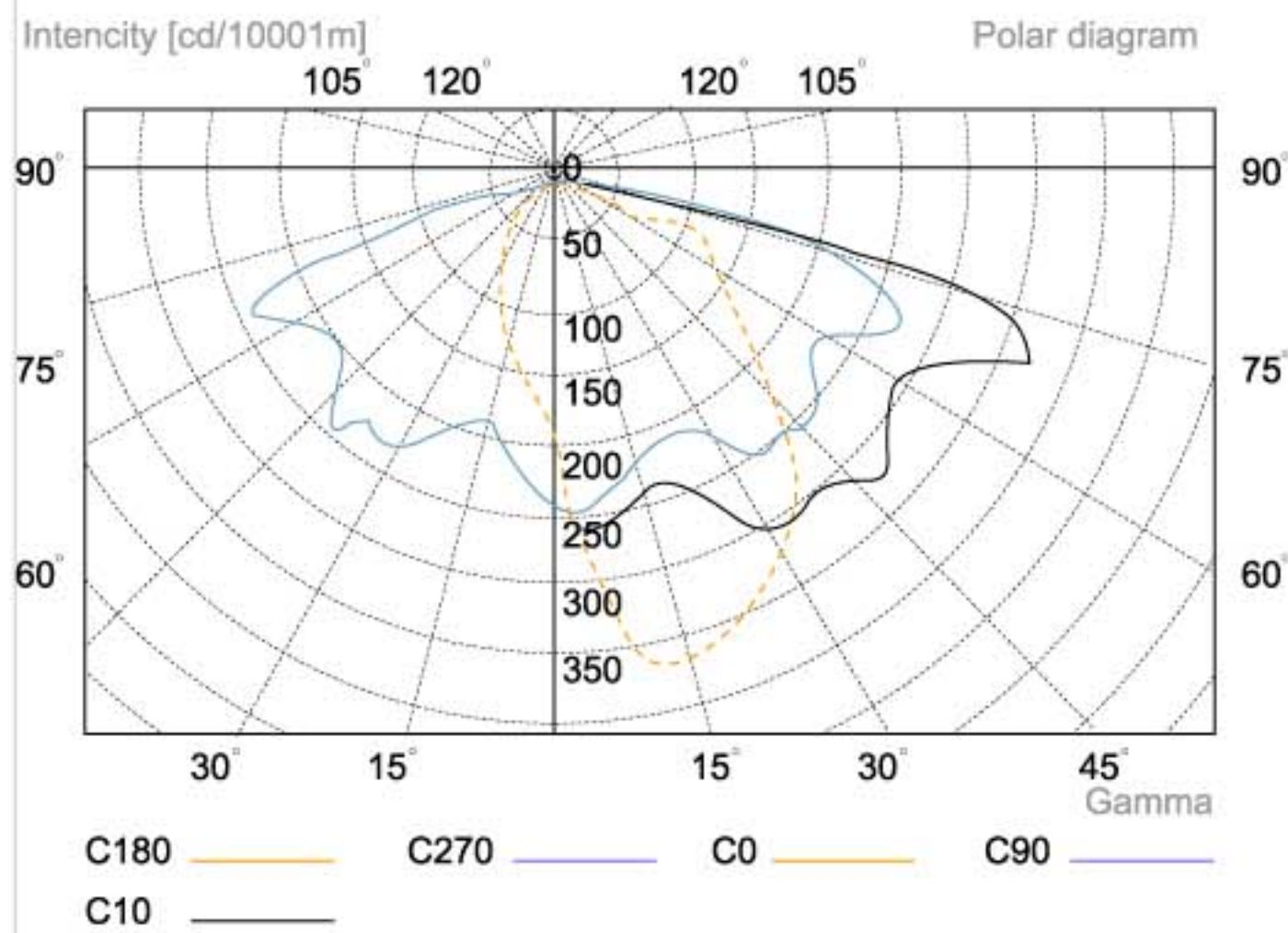
INVERSE



IP66 Optical System

IP44 Compartment System

Polar diagram KV Light SL - 007 (400W) cone measurement



Specification

Body	: Composed of two directly joined die-cast parts with a gloss RAL 7.035 grey finish. Alternative colours of the same range to special order. Secured by a pressure lock made of anodised aluminium extrusion.
Optical System	: Made up of a Hydro-formed anodised aluminium reflector, and a High-transmittance lenticular 5mm tempered glass protection cover.
Lampholder Housing	: Made of highly heat-resistant plastic material. Includes a silicone gasket and a lamp holder.
IP Standard	: Optical System IP66 Control Gear Compartment IP44
Light Source	: 150W - 400W
Finishing	: Any RAL - colour upon request.

Key Feature

1. Application from car parks, high ways, main roads, private roads, main traffic routes in city centres.
2. Gear tray removable for easy maintenance.
3. Low glare optics minimise the spread of light above horizontal.
4. Anodised and extruded aluminium front locking clip.
5. Arm pole mounting system \varnothing 60mm x 150mm

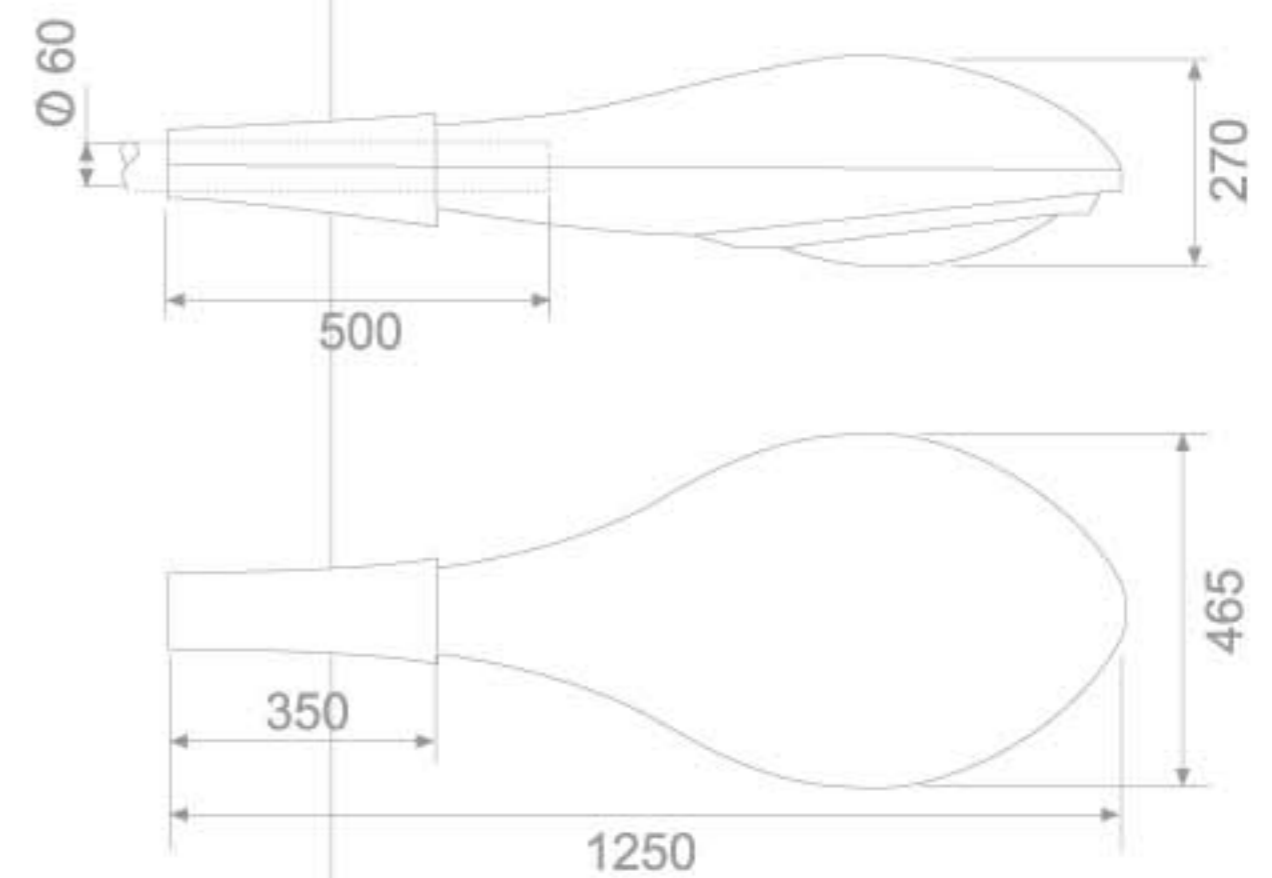
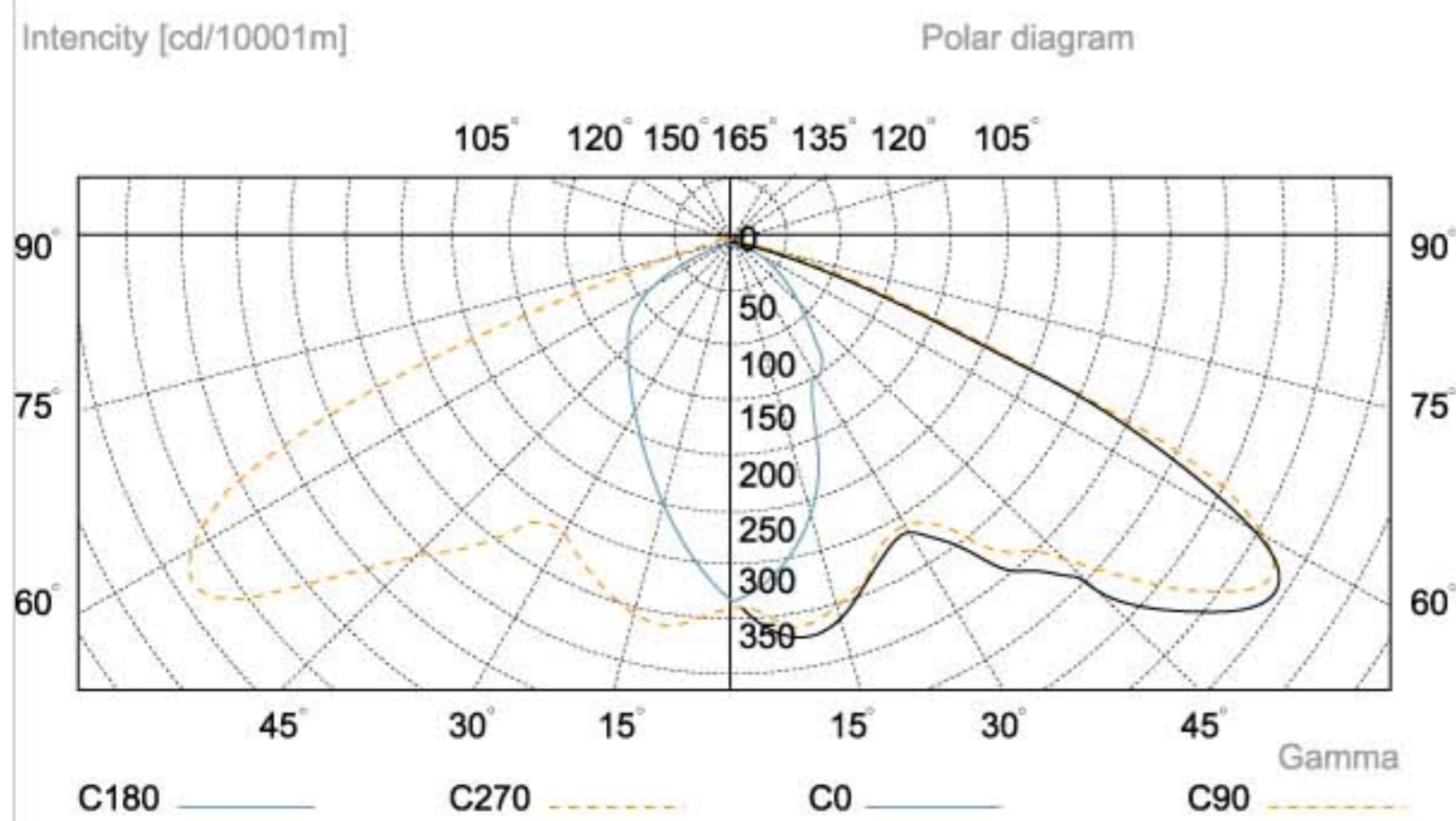
DECORATIVE AND FUNCTIONAL LANTERN



IP66 Optical System

IP44 Compartment System

Polar diagram KV Light SL - 008 (400W) cone measurement



Specification

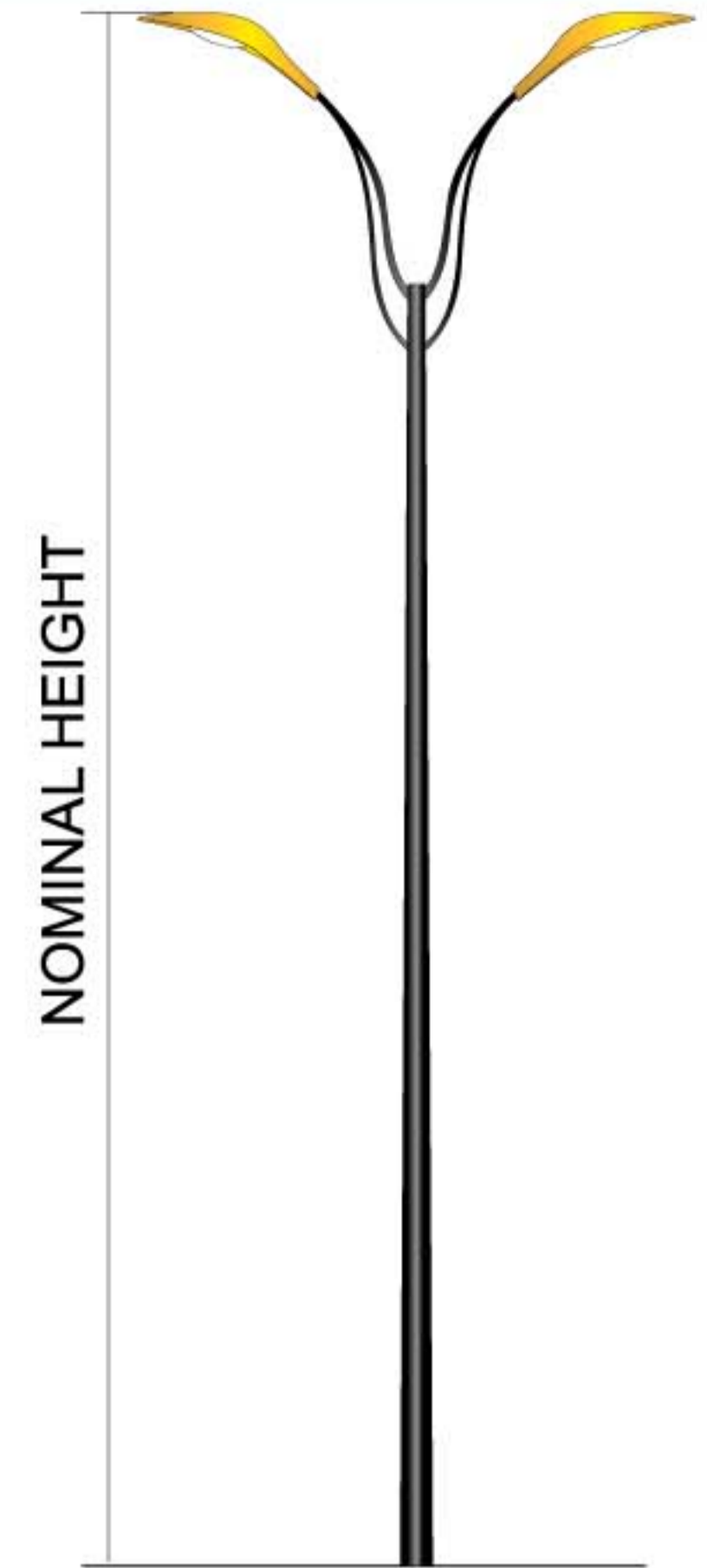
Body	: Composed of two directly joined die-cast parts with a gloss RAL 7.035 grey finish. Alternative colours of the same range to special order. Secured by a pressure lock made of anodised aluminium extrusion.
Optical System	: Made up of a Hydro-formed anodised aluminium reflector, and a High-transmittance lenticular 5mm tempered glass protection cover.
Lampholder Housing	: Made of highly heat-resistant plastic material. Includes a silicone gasket and a lamp holder.
IP Standard	: Optical System IP66 Control Gear Compartment IP44
Light Source	: 150W - 400W
Finishing	: Any RAL - colour upon request.

Key Feature

1. Application from car parks, high ways, main roads, private roads, main traffic routes in city centres.
2. Gear tray removable for easy maintenance.
3. Low glare optics minimise the spread of light above horizontal.
4. Anodised and extruded aluminium front locking clip.
5. Arm pole mounting system \varnothing 60mm x 150mm

DECORATIVE AND FUNCTIONAL LANTERN

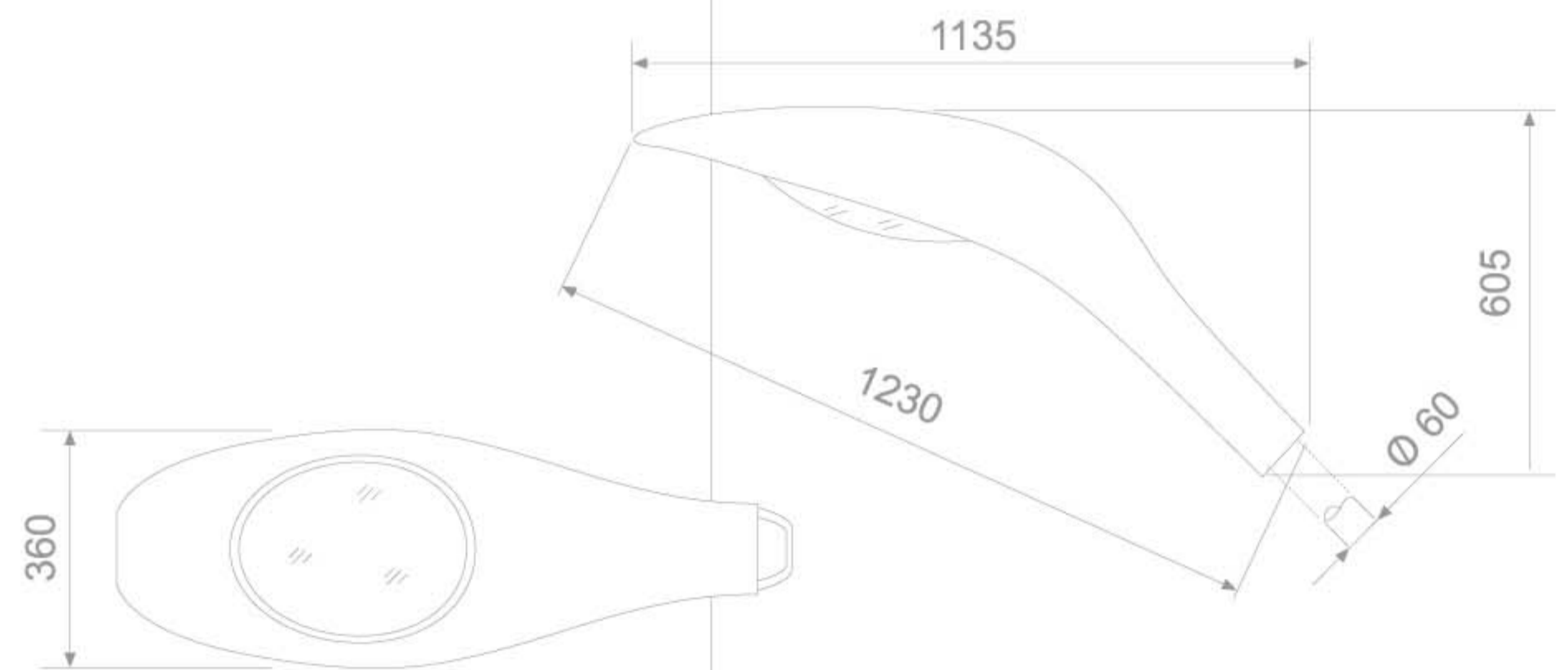
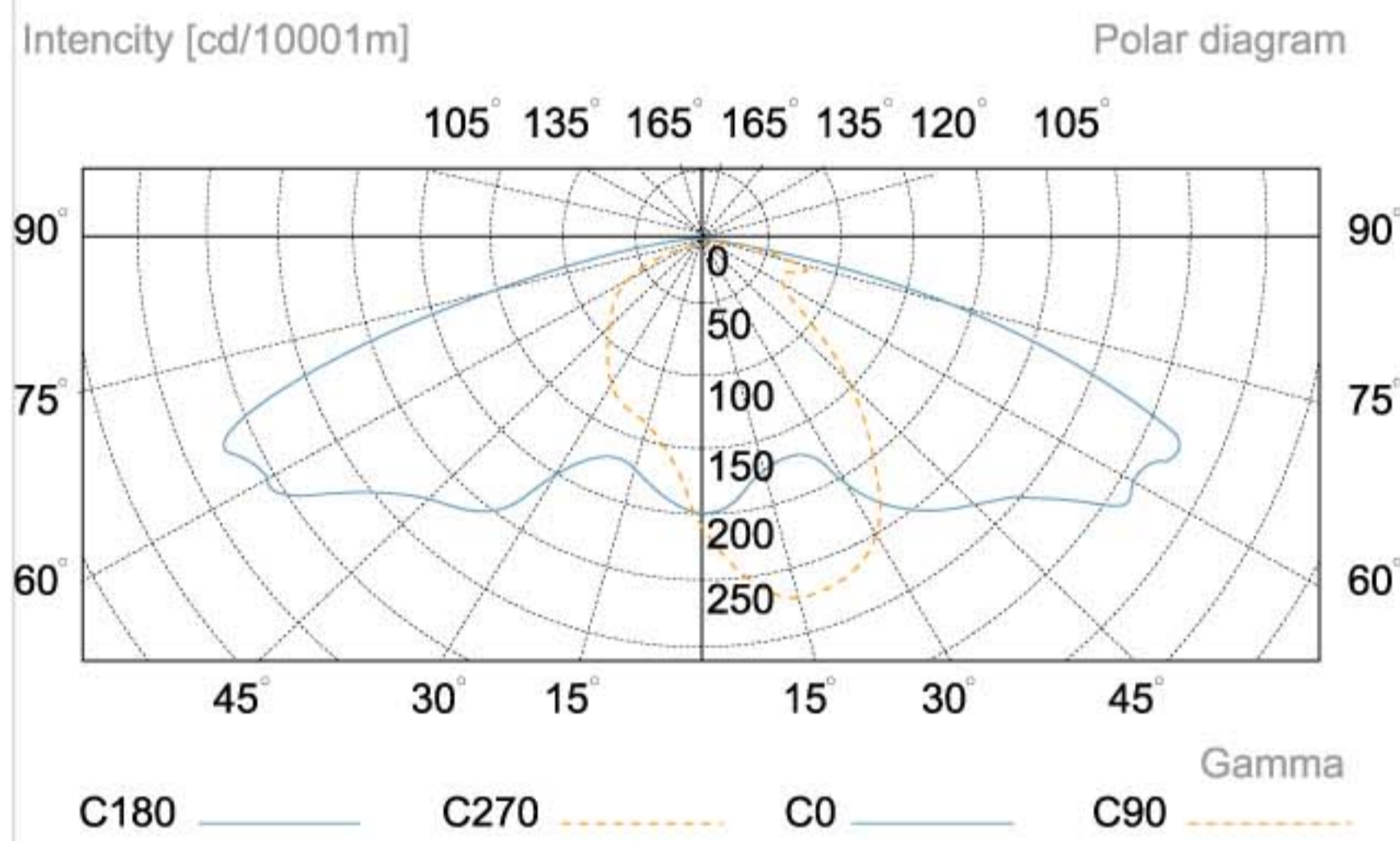
BURUNG



IP66 Optical System

IP44 Compartment System

Polar diagram KV Light SL - 009 (250W) cone measurement



Specification

- Body** : Composed of two directly joined die-cast parts with a gloss RAL 7.035 grey finish. Alternative colours of the same range to special order. Secured by a pressure lock made of anodised aluminium extrusion.
- Optical System** : Made up of a Hydro-formed anodised aluminium reflector, and a High-transmittance lenticular 5mm tempered glass protection cover.
- Lampholder Housing** : Made of highly heat-resistant plastic material. Includes a silicone gasket and a lamp holder.
- IP Standard** : Optical System IP66
Control Gear Compartment IP44
- Light Source** : 150W - 600W
- Finishing** : Any RAL - colour upon request.

Key Feature

1. Application from car parks, high ways, main roads, private roads, main traffic routes in city centres.
2. Gear tray removable for easy maintenance.
3. Low glare optics minimise the spread of light above horizontal.
4. Anodised and extruded aluminium front locking clip.
5. Arm pole mounting system \varnothing 60mm x 150mm



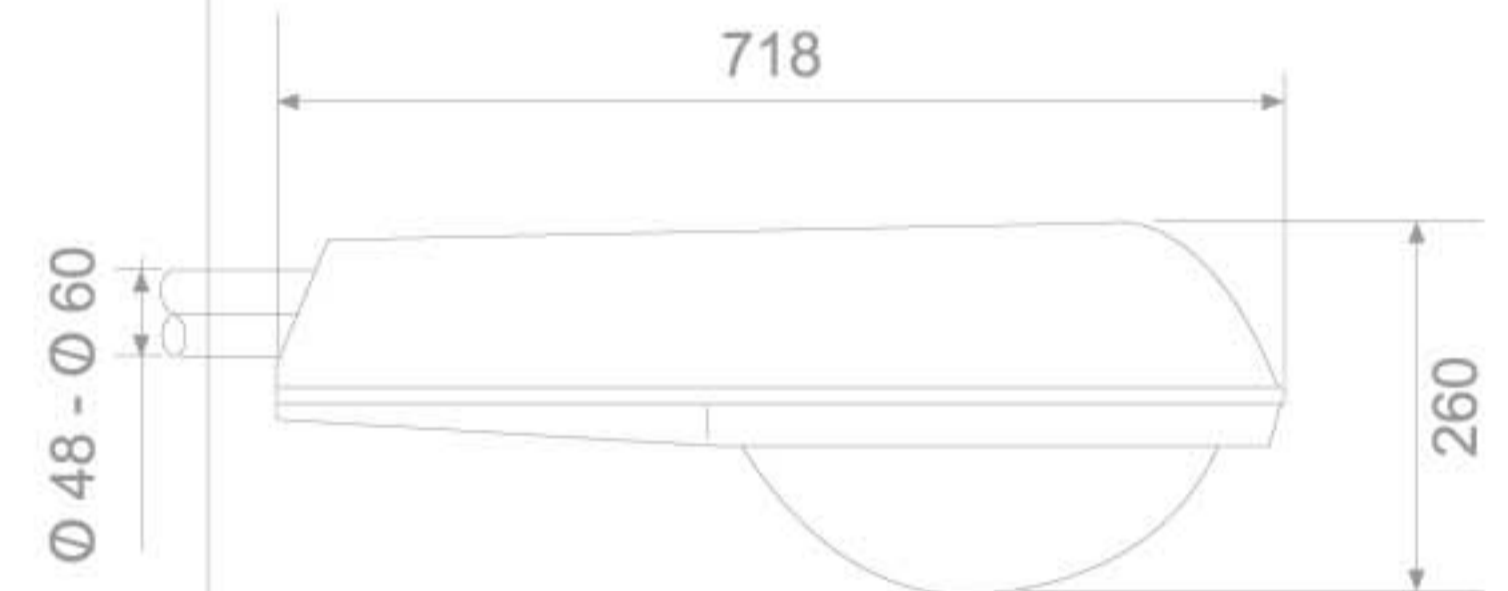
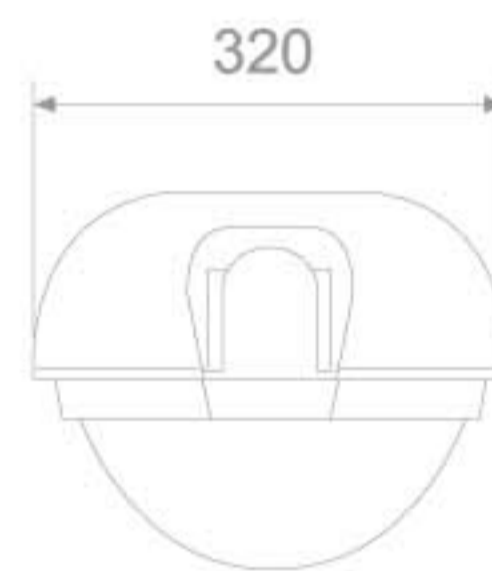
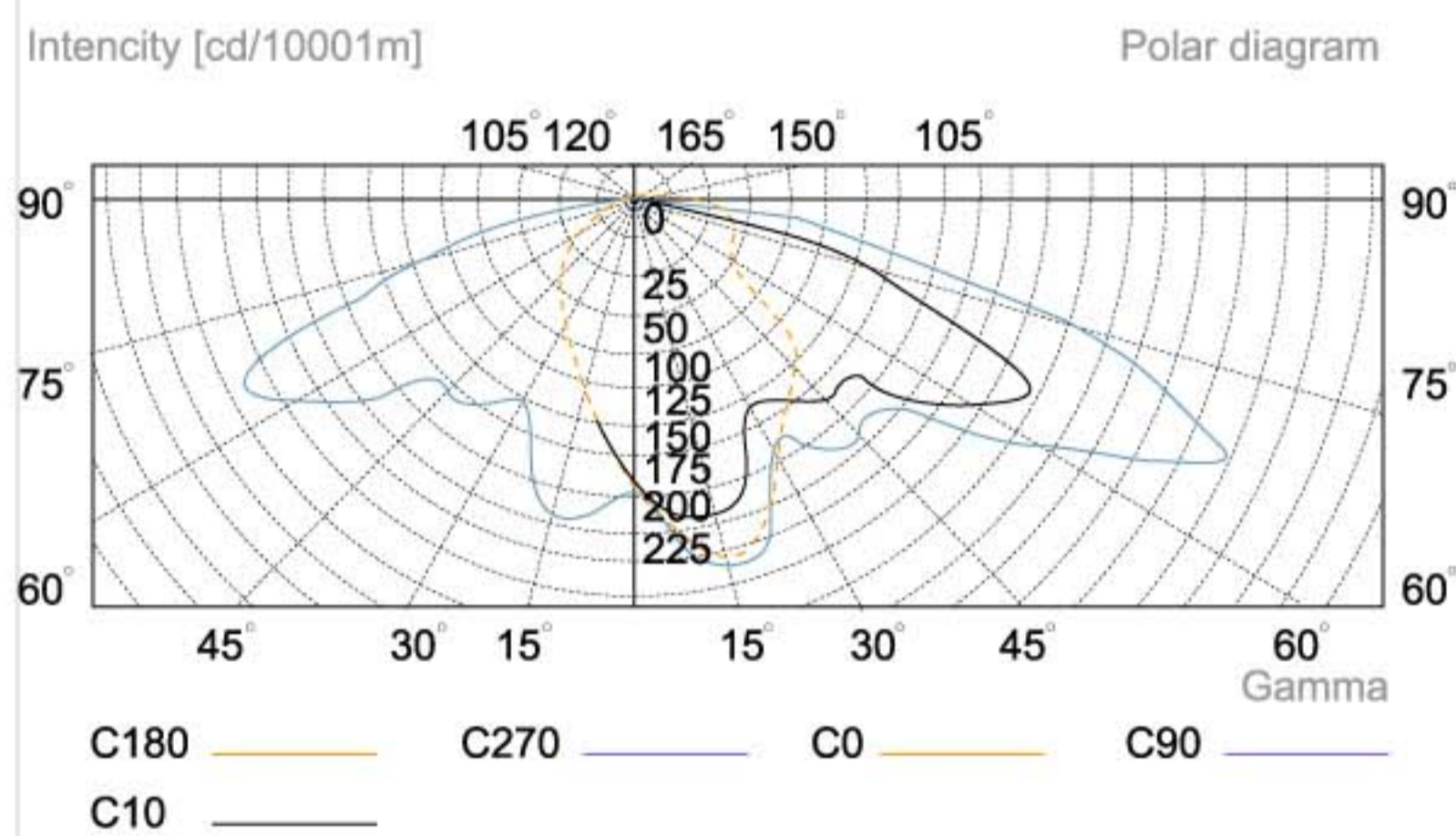
DECORATIVE AND FUNCTIONAL LANTERN



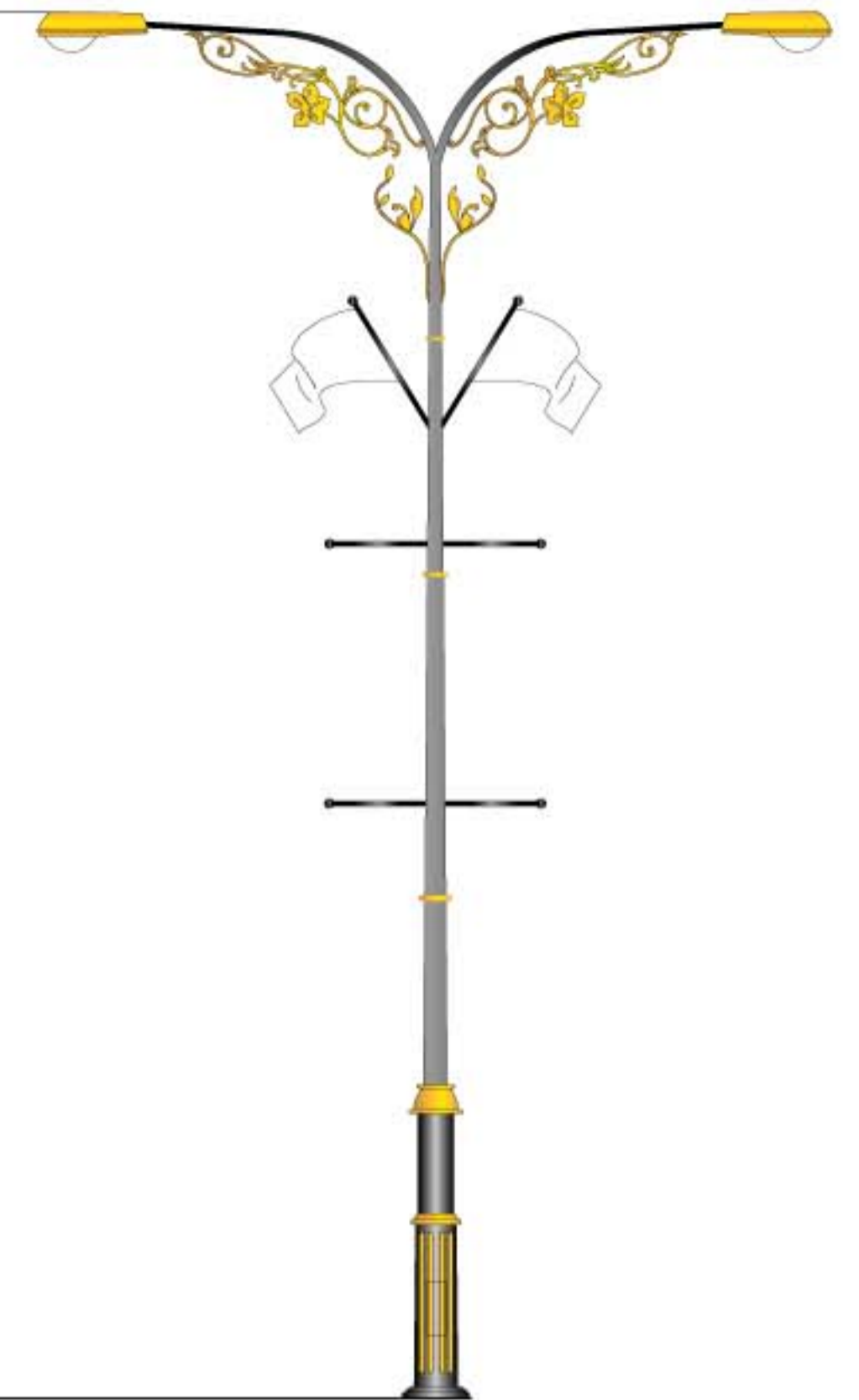
IP55 Optical System

IP33 Compartment System

Polar diagram KV Light SL - 010 (250W) cone measurement



NOMINAL HEIGHT



Specification

Body	: Composed of two directly joined die-cast parts with a gloss RAL 7.035 grey finish. Alternative colours of the same range to special order. Secured by a pressure lock made of anodised aluminium extrusion.
Optical System	: Made up of a Hydro-formed anodised aluminium reflector, and a High-transmittance lenticular 5mm tempered glass protection cover.
Lampholder Housing	: Made of highly heat-resistant plastic material. Includes a silicone gasket and a lamp holder.
IP Standard	: Optical System IP66 Control Gear Compartment IP44
Light Source	: 150W - 400W
Finishing	: Any RAL - colour upon request.

Key Feature

1. Application from car parks, high ways, main roads, private roads, main traffic routes in city centres.
2. Gear tray removable for easy maintenance.
3. Low glare optics minimise the spread of light above horizontal.
4. Anodised and extruded aluminium front locking clip.
5. Arm pole mounting system \varnothing 60mm x 150mm

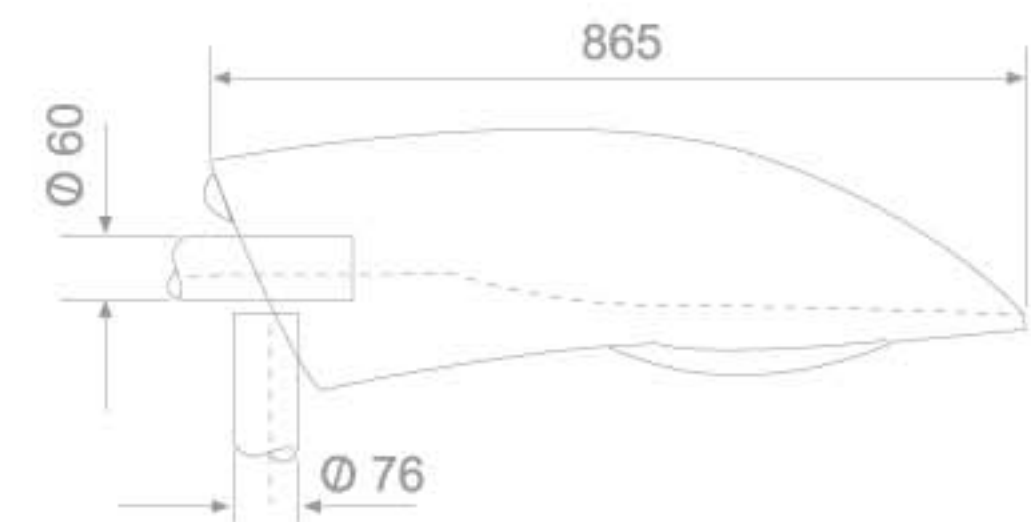
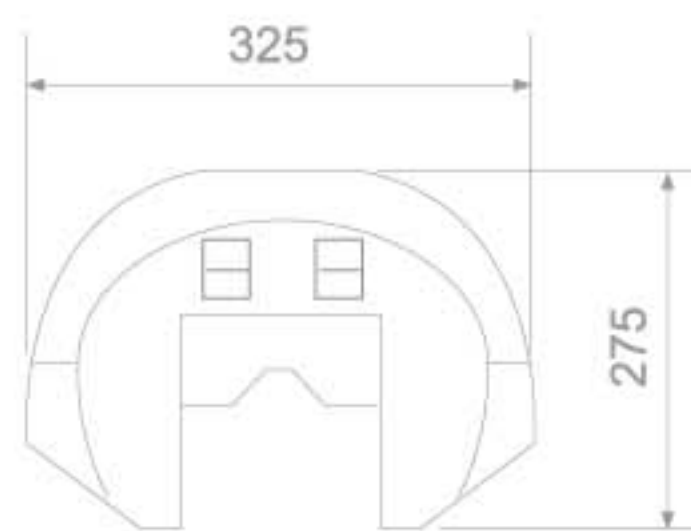
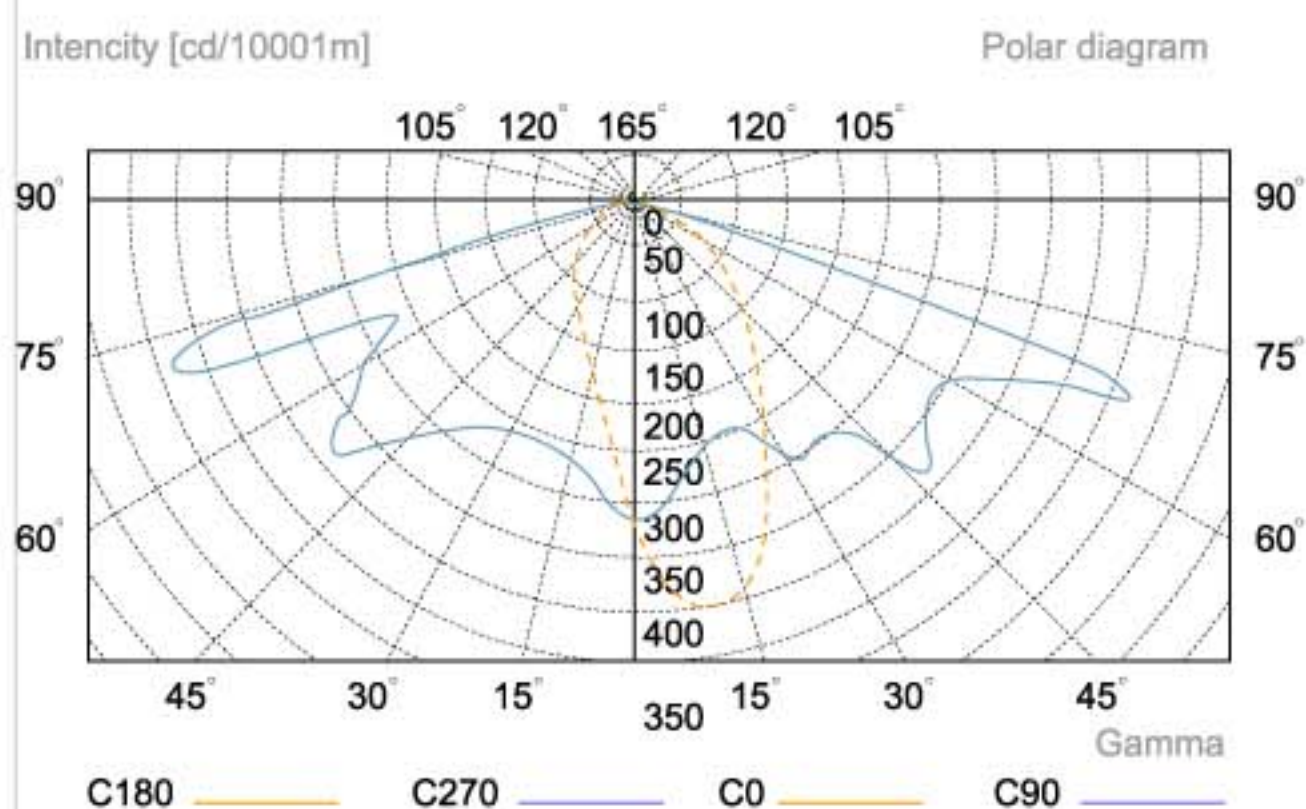
DECORATIVE AND FUNCTIONAL LANTERN



IP66 Optical System

IP44 Compartment System

Polar diagram KV Light SL - 011 (250W) cone measurement



Specification

Body	: Composed of two directly joined die-cast parts with a gloss RAL 7.035 grey finish. Alternative colours of the same range to special order. Secured by a pressure lock made of anodised aluminium extrusion.
Optical System	: Made up of a Hydro-formed anodised aluminium reflector, and a High-transmittance lenticular 5mm tempered glass protection cover.
Lampholder Housing	: Made of highly heat-resistant plastic material. Includes a silicone gasket and a lamp holder.
IP Standard	: Optical System IP66 Control Gear Compartment IP44
Light Source	: 150W - 400W
Finishing	: Any RAL - colour upon request.

Key Feature

1. Application from car parks, high ways, main roads, private roads, main traffic routes in city centres.
2. Gear tray removable for easy maintenance.
3. Low glare optics minimise the spread of light above horizontal.
4. Anodised and extruded aluminium front locking clip.
5. Arm pole mounting system \varnothing 60mm x 150mm

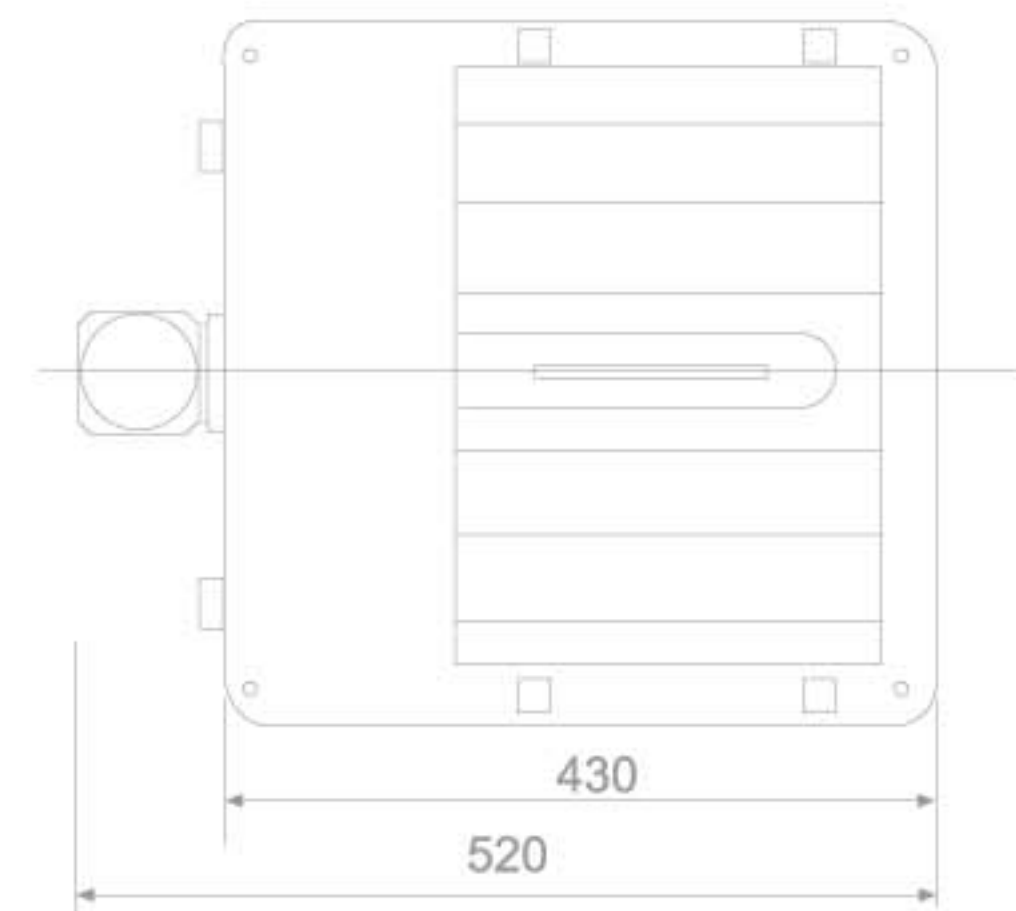
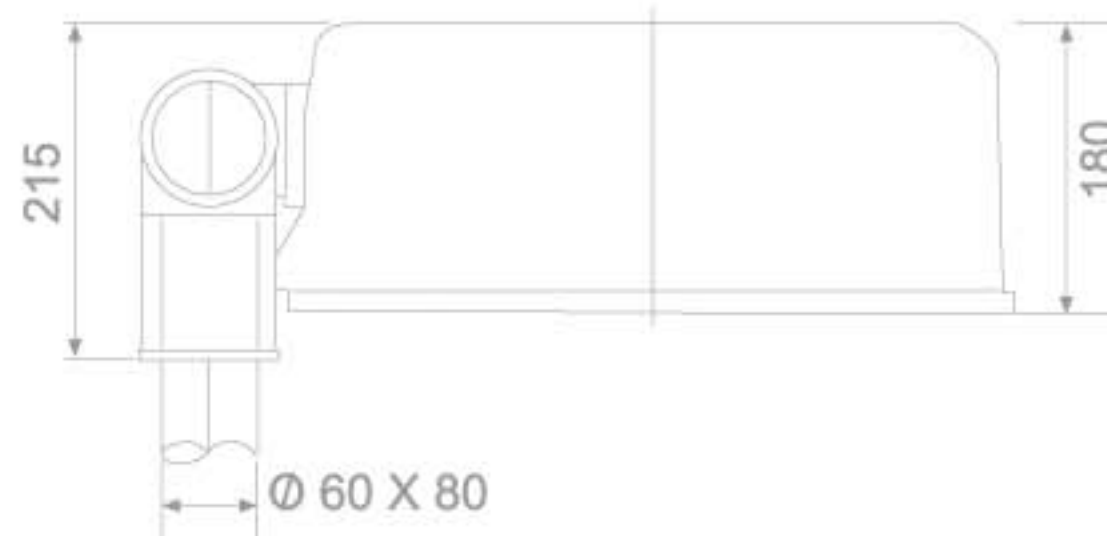
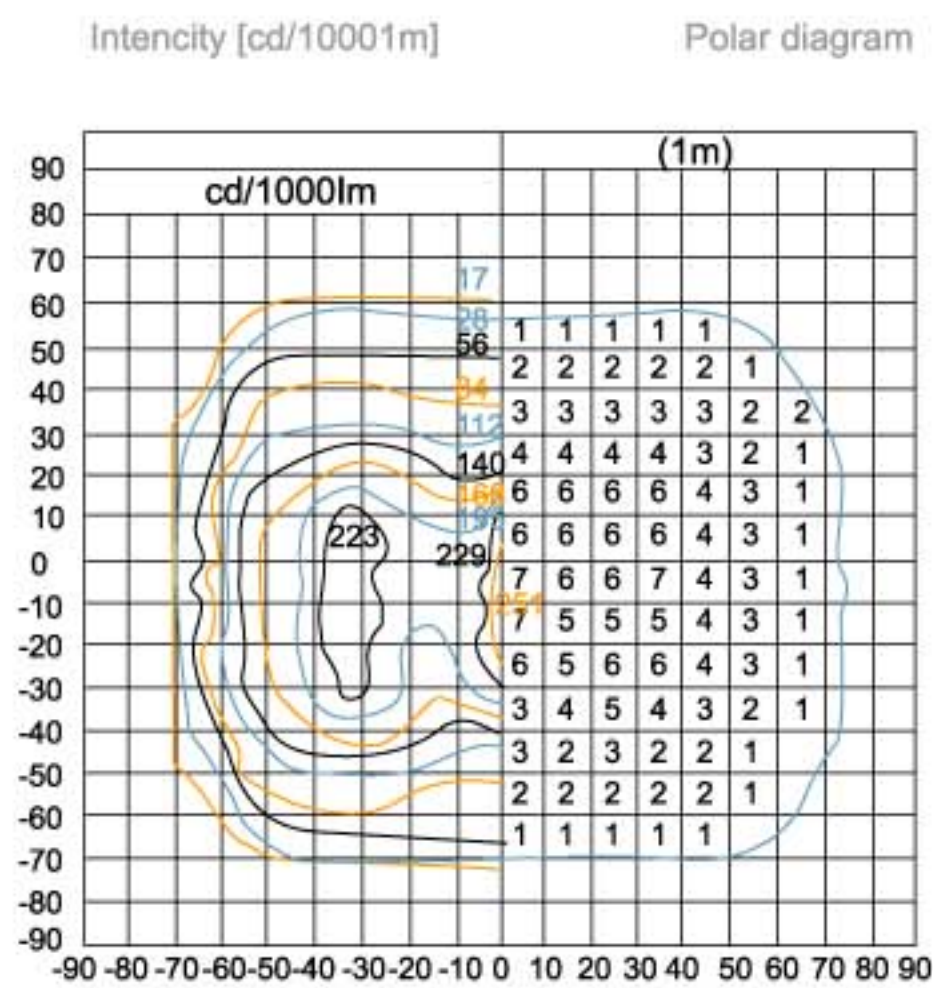
DECORATIVE AND FUNCTIONAL LANTERN



IP66 Optical System

IP44 Compartment System

Polar diagram KV Light SL - 012 (250W) cone measurement



Specification

- Body : Composed of two directly joined die-cast parts with a gloss RAL 7.035 grey finish. Alternative colours of the same range to special order. Secured by a pressure lock made of anodised aluminium extrusion.
- Optical System : Made up of a Hydro-formed anodised aluminium reflector, and a High-transmittance lenticular 5mm tempered glass protection cover.
- Lampholder Housing : Made of highly heat-resistant plastic material. Includes a silicone gasket and a lamp holder.
- IP Standard : Optical System IP66
Control Gear Compartment IP44
- Light Source : 150W - 400W
- Finishing : Any RAL - colour upon request.

Key Feature

1. Application from car parks, high ways, main roads, private roads, main traffic routes in city centres.
2. Gear tray removable for easy maintenance.
3. Low glare optics minimise the spread of light above horizontal.
4. Anodised and extruded aluminium front locking clip.
5. Arm pole mounting system Ø 60mm x 80mm

DECORATIVE AND FUNCTIONAL LANTERN



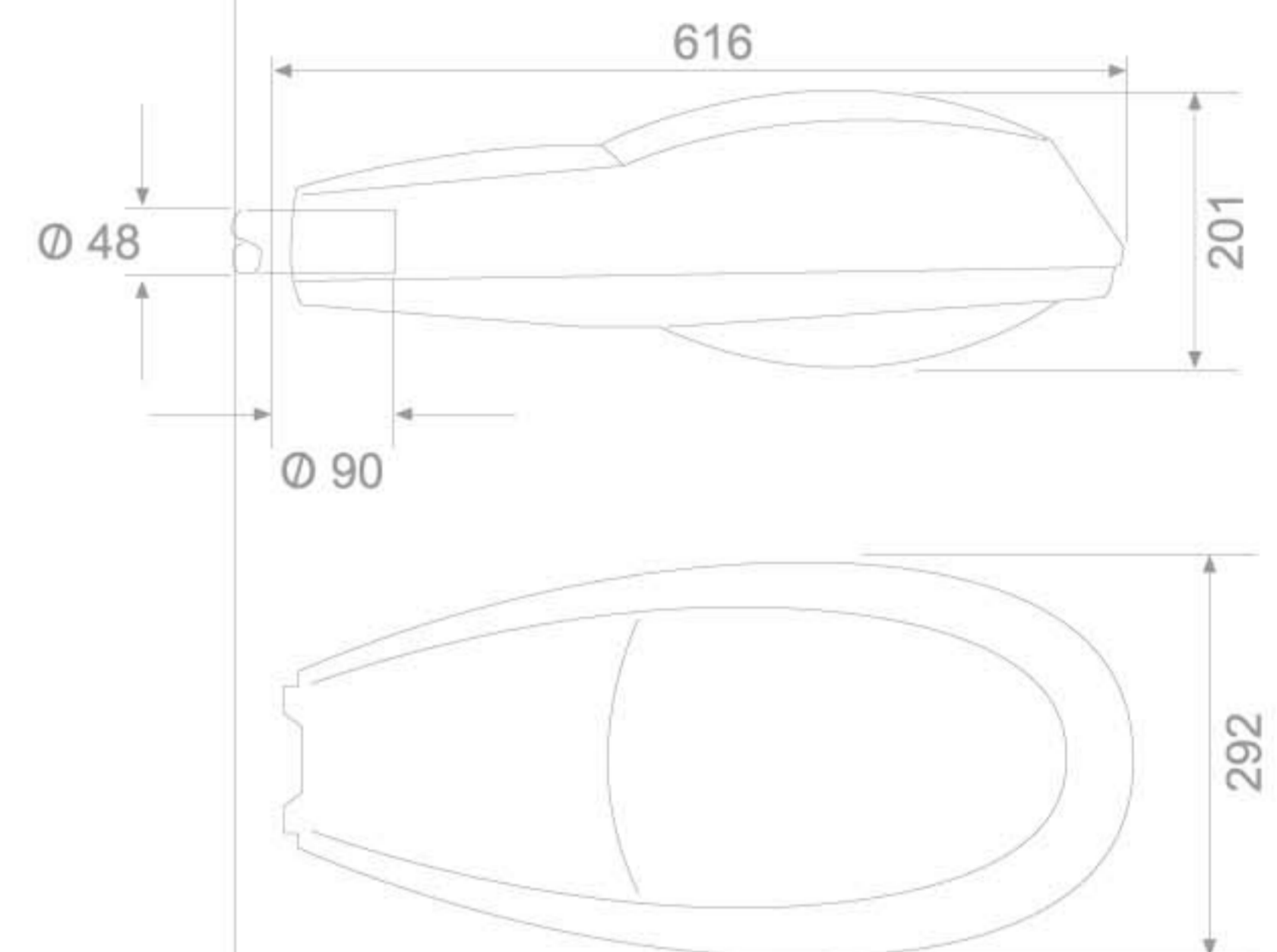
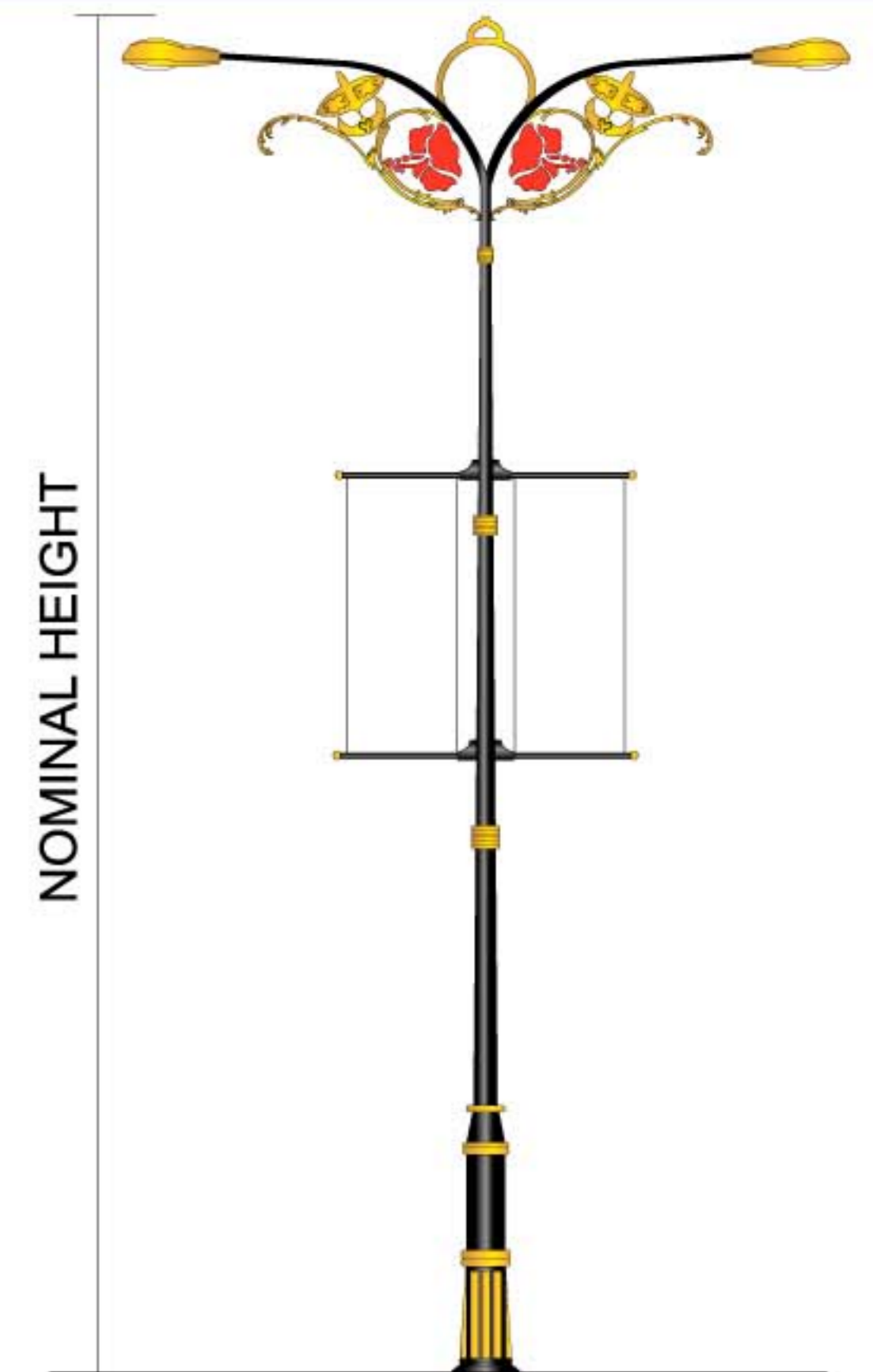
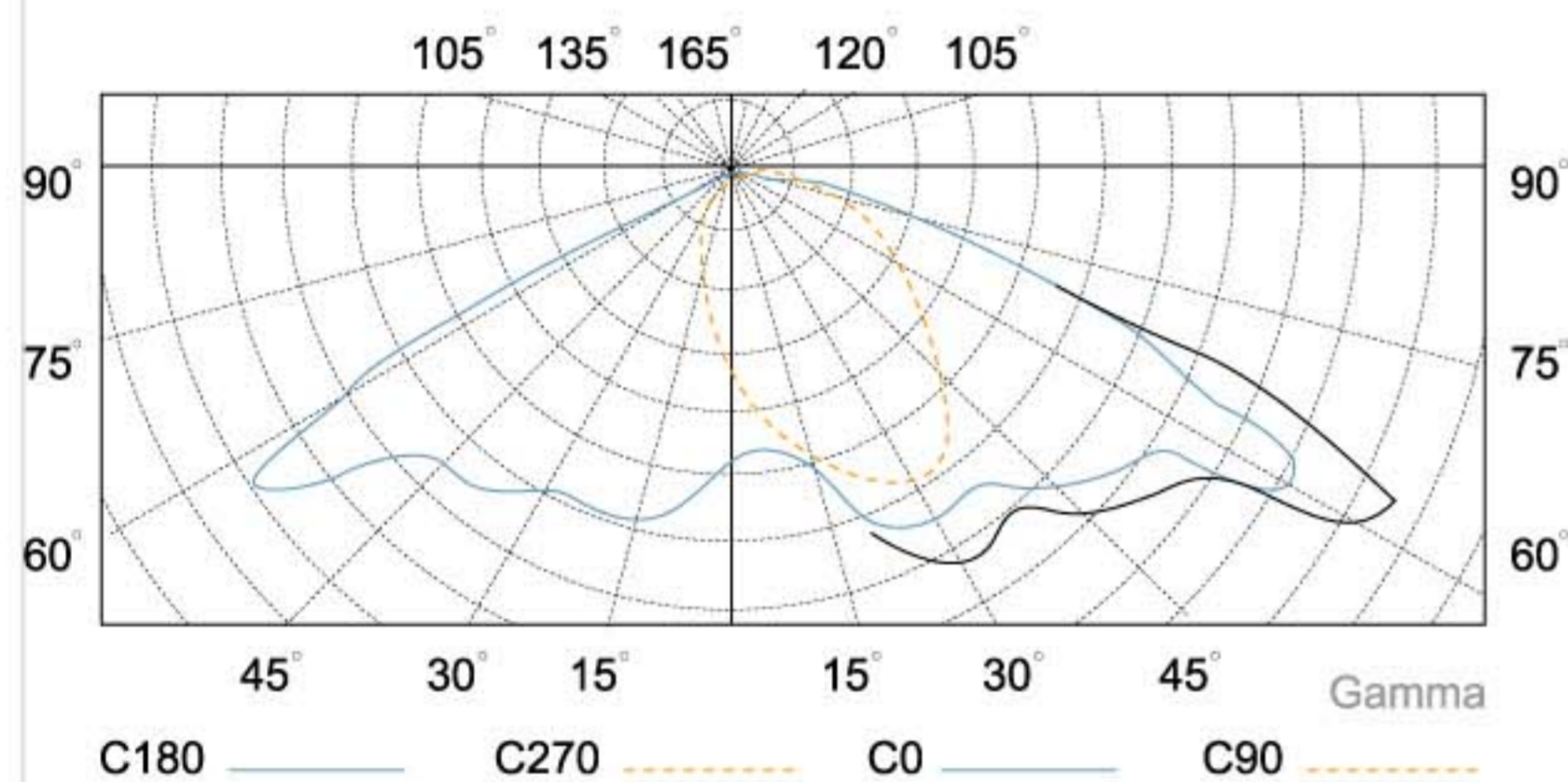
IP66 Optical System

IP44 Compartment System

Polar diagram KV Light SL - 013 (150W) cone measurement

Intencity [cd/10001m]

Polar diagram



Specification

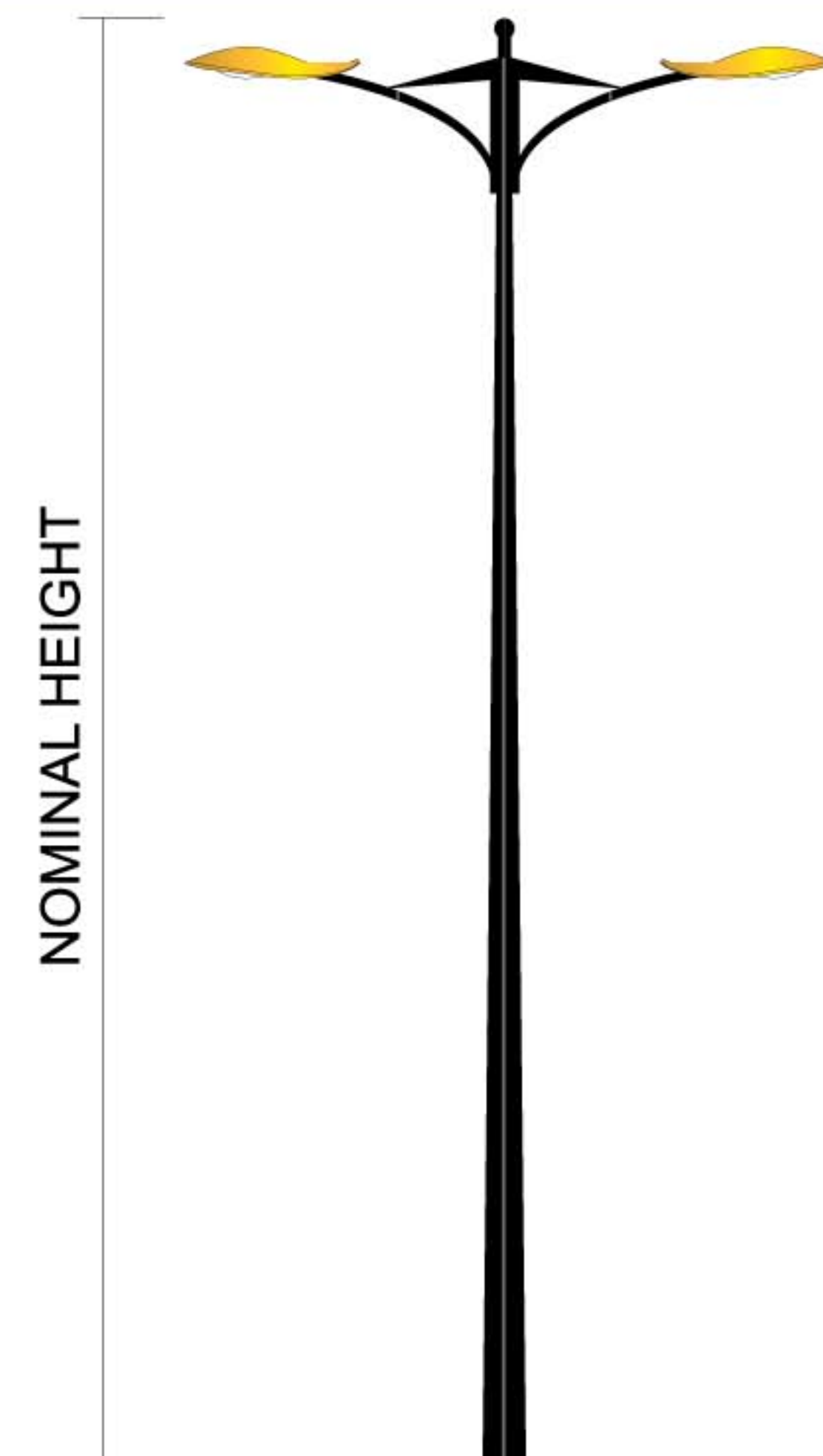
Body	: Composed of two directly joined die-cast parts with a gloss RAL 7.035 grey finish. Alternative colours of the same range to special order. Secured by a pressure lock made of anodised aluminium extrusion.
Optical System	: Made up of a Hydro-formed anodised aluminium reflector, and a High-transmittance lenticular 5mm tempered glass protection cover.
Lampholder Housing	: Made of highly heat-resistant plastic material. Includes a silicone gasket and a lamp holder.
IP Standard	: Optical System IP66 Control Gear Compartment IP44
Light Source	: 150W - 250W
Finishing	: Any RAL - colour upon request.

Key Feature

1. Application from car parks, high ways, main roads, private roads, main traffic routes in city centres.
2. Gear tray removable for easy maintance.
3. Low glare optics minimise the spread of light above horizontal.
4. Anodised and extruded aluminium front locking clip.
5. Arm pole mounting system Ø 48mm x 150mm

DECORATIVE AND FUNCTIONAL LANTERN

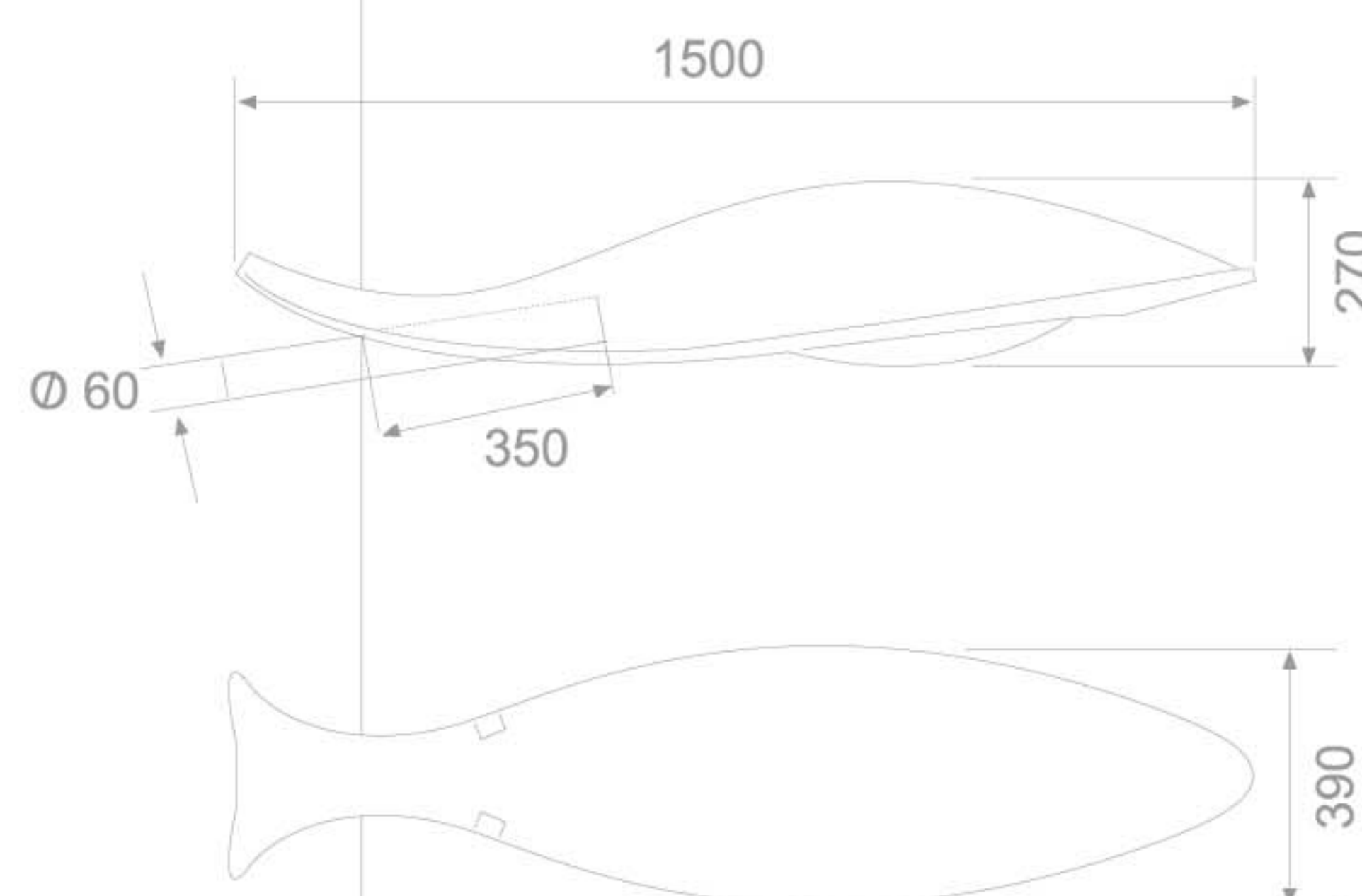
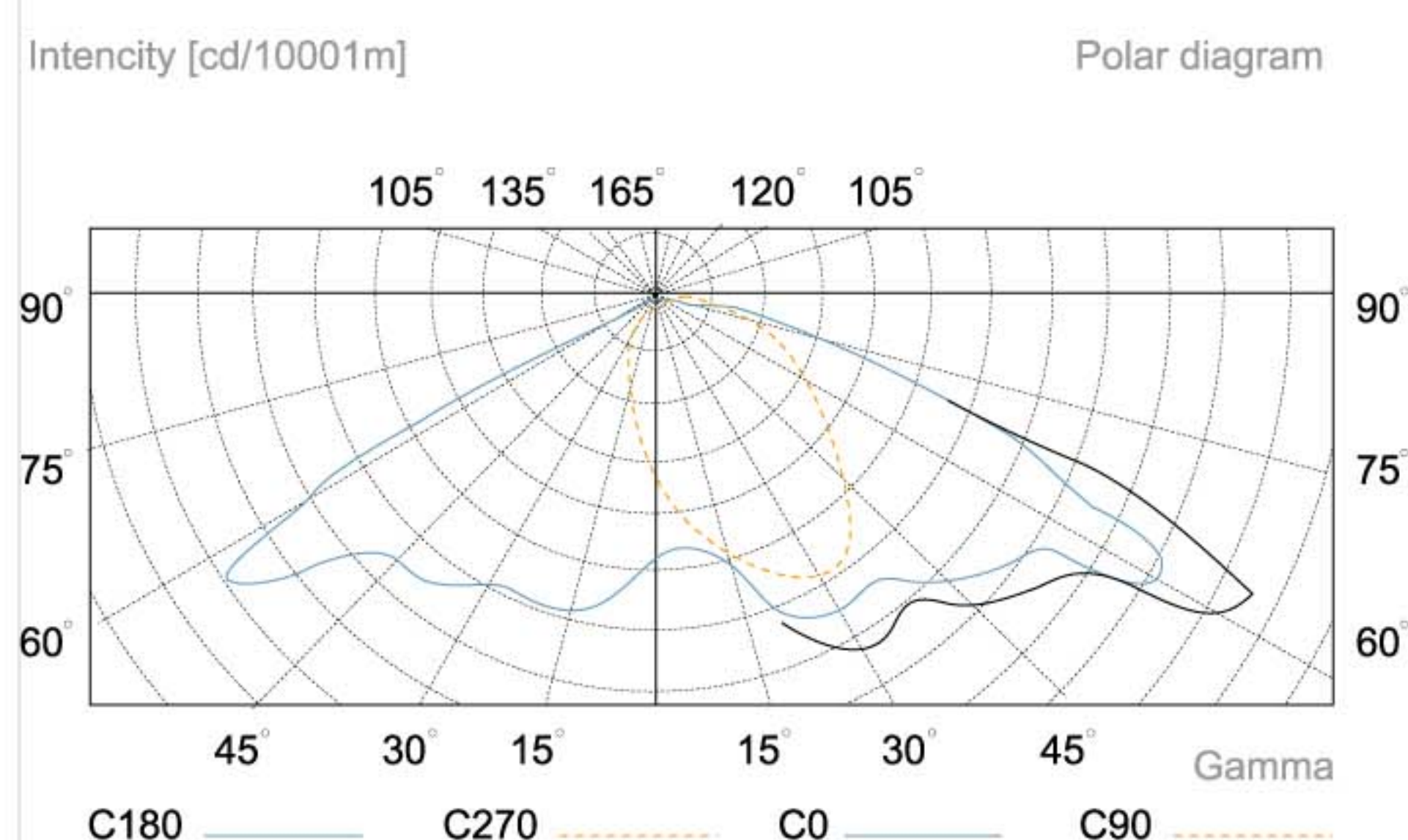
MARBLE



IP66 Optical System

IP44 Compartment System

Polar diagram KV Light SL - 014 (400W) cone measurement



Specification

Body	: Composed of two directly joined die-cast parts with a gloss RAL 7.035 grey finish. Alternative colours of the same range to special order. Secured by a pressure lock made of anodised aluminium extrusion.
Optical System	: Made up of a Hydro-formed anodised aluminium reflector, and a High-transmittance lenticular 5mm tempered glass protection cover.
Lampholder Housing	: Made of highly heat-resistant plastic material. Includes a silicone gasket and a lamp holder.
IP Standard	: Optical System IP66 Control Gear Compartment IP44
Light Source	: 250W - 600W
Finishing	: Any RAL - colour upon request.

Key Feature

1. Application from car parks, high ways, main roads, private roads, main traffic routes in city centres.
2. Gear tray removable for easy maintenance.
3. Low glare optics minimise the spread of light above horizontal.
4. Anodised and extruded aluminium front locking clip.
5. Arm pole mounting system \varnothing 60mm x 48mm

DECORATIVE AND FUNCTIONAL LANTERN



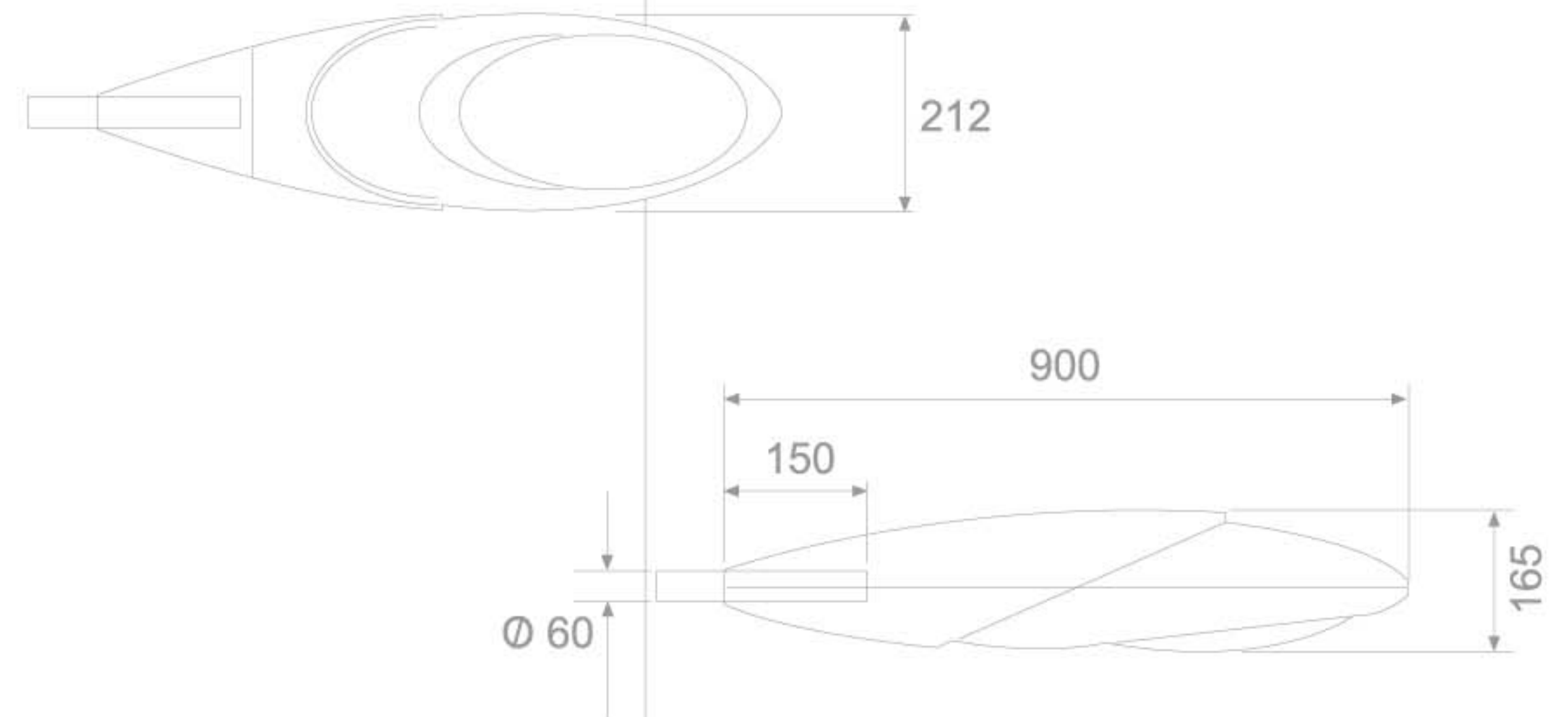
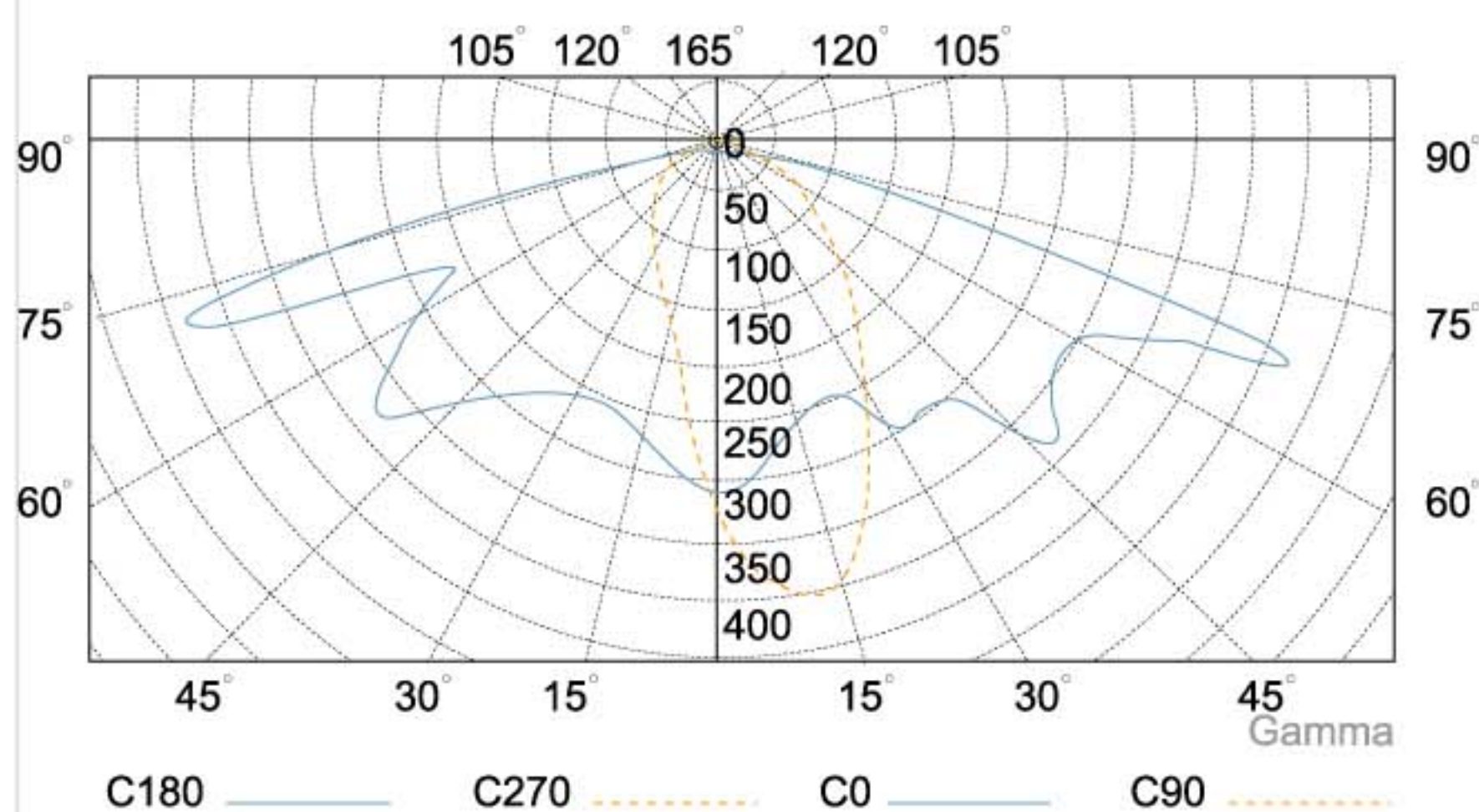
IP66 Optical System

IP44 Compartment System

Polar diagram KV Light SL - 015 (250W) cone measurement

Intencity [cd/10001m]

Polar diagram



NOMINAL HEIGHT

Specification

Body	: Composed of two directly joined die-cast parts with a gloss RAL 7.035 grey finish. Alternative colours of the same range to special order. Secured by a pressure lock made of anodised aluminium extrusion.
Optical System	: Made up of a Hydro-formed anodised aluminium reflector, and a High-transmittance lenticular 5mm tempered glass protection cover.
Lampholder Huosing	: Made of highly heat-resistant plastic material. Includes a silicone gasket and a lamp holder.
IP Standard	: Optical System IP66 Control Gear Compartment IP44
Light Source	: 250W - 400W
Finishing	: Any RAL - colour upon request.

Key Feature

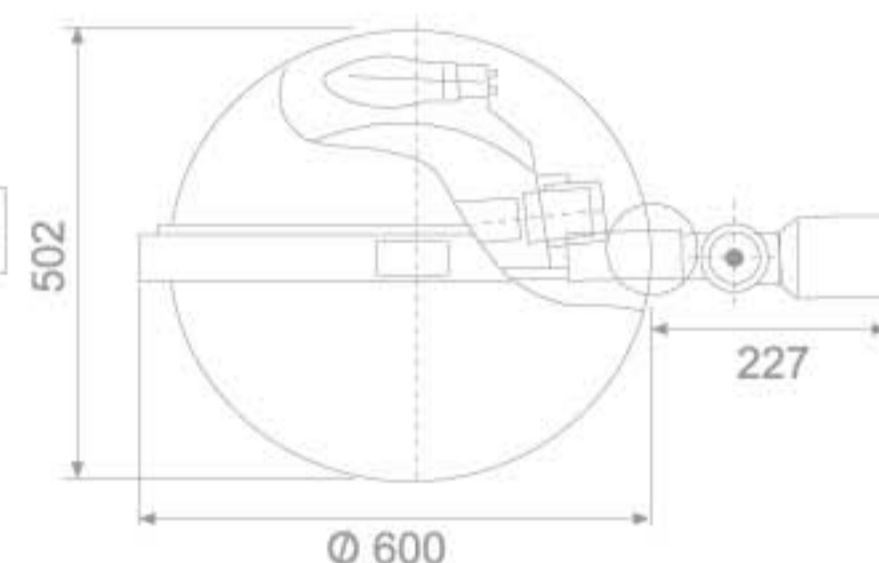
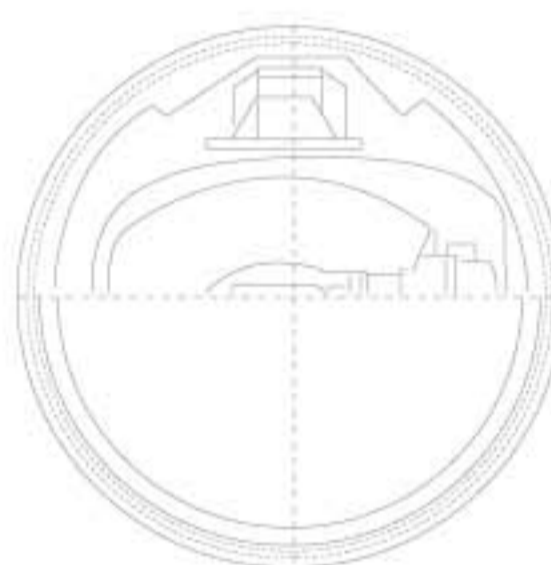
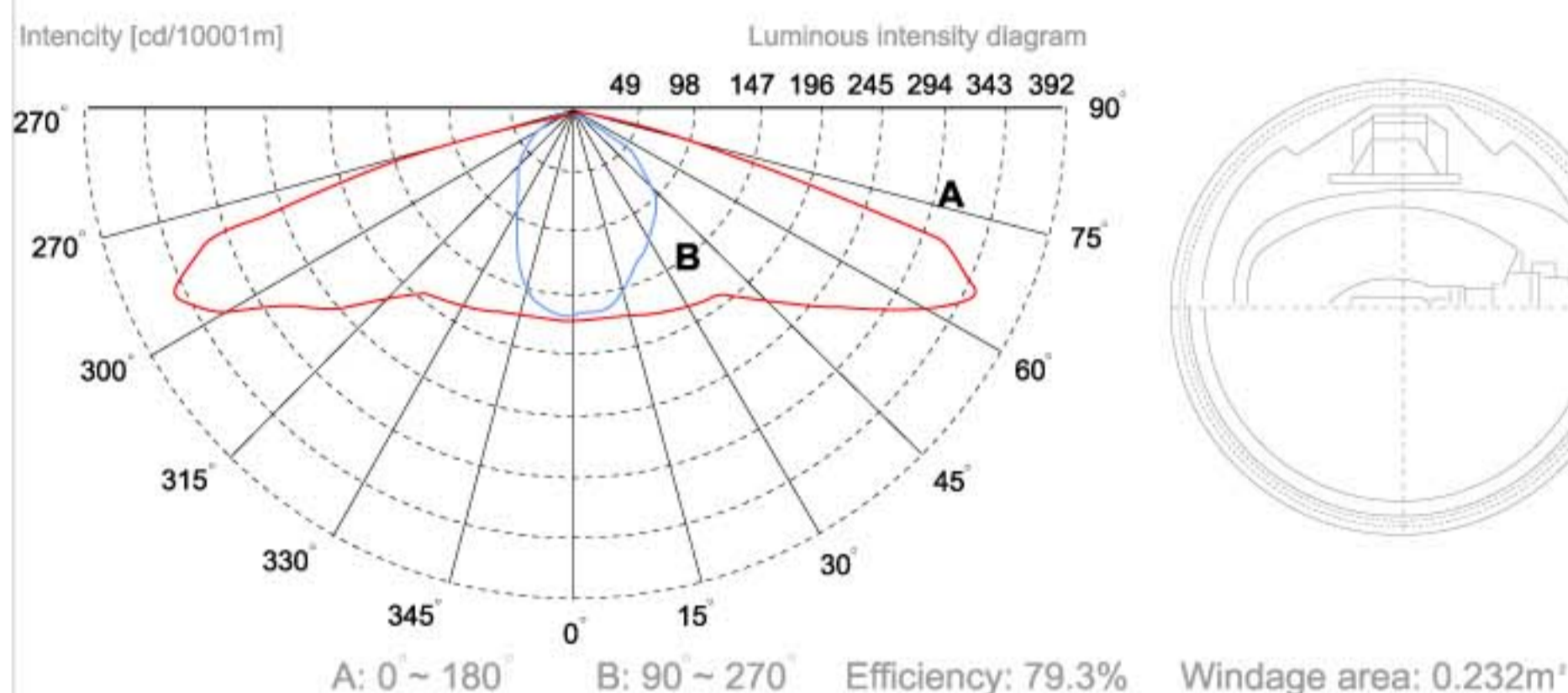
1. Application from car parks, high ways, main roads, private roads, main traffic routes in city centres.
2. Gear tray removable for easy maintance.
3. Low glare optics minimise the spread of light above horizontal.
4. Anodised and extruded aluminium front locking clip.
5. Arm pole mounting system \varnothing 60mm x 150mm



IP66 Optical System

IP44 Compartment System

Polar diagram KV Light GGE 825 (400W) cone measurement

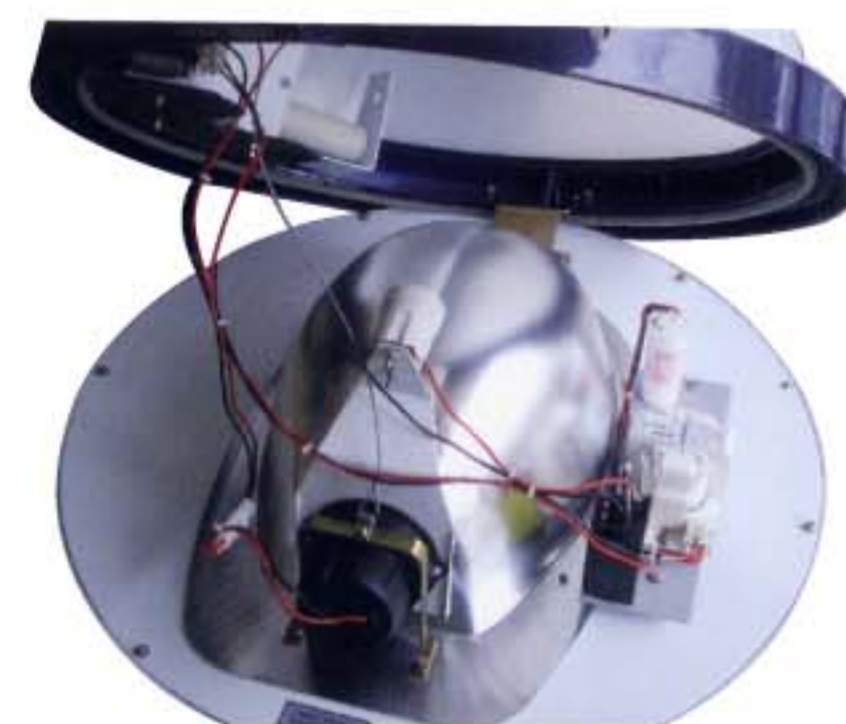


Specification

- Body : Composed of two directly joined die-cast parts with a gloss RAL 7.035 grey finish. Alternative colours of the same range to special order. Secured by a pressure lock made of anodised aluminium extrusion.
- Optical System : Made up of a Hydro-formed anodised aluminium reflector, and a High-transmittance lenticular 5mm tempered glass protection cover.
- Lampholder Housing : Made of highly heat-resistant plastic material. Includes a silicone gasket and a lamp holder.
- IP Standard : Optical System IP66
Control Gear Compartment IP44
- Light Source : 150W - 400W
- Finishing : Any RAL - colour upon request.

Key Feature

1. Application from car parks, high ways, main roads, private roads, main traffic routes in city centres.
2. Gear tray removable for easy maintenance.
3. Low glare optics minimise the spread of light above horizontal.
4. Anodised and extruded aluminium front locking clip.
5. Arm pole mounting system Ø 60mm x 227mm



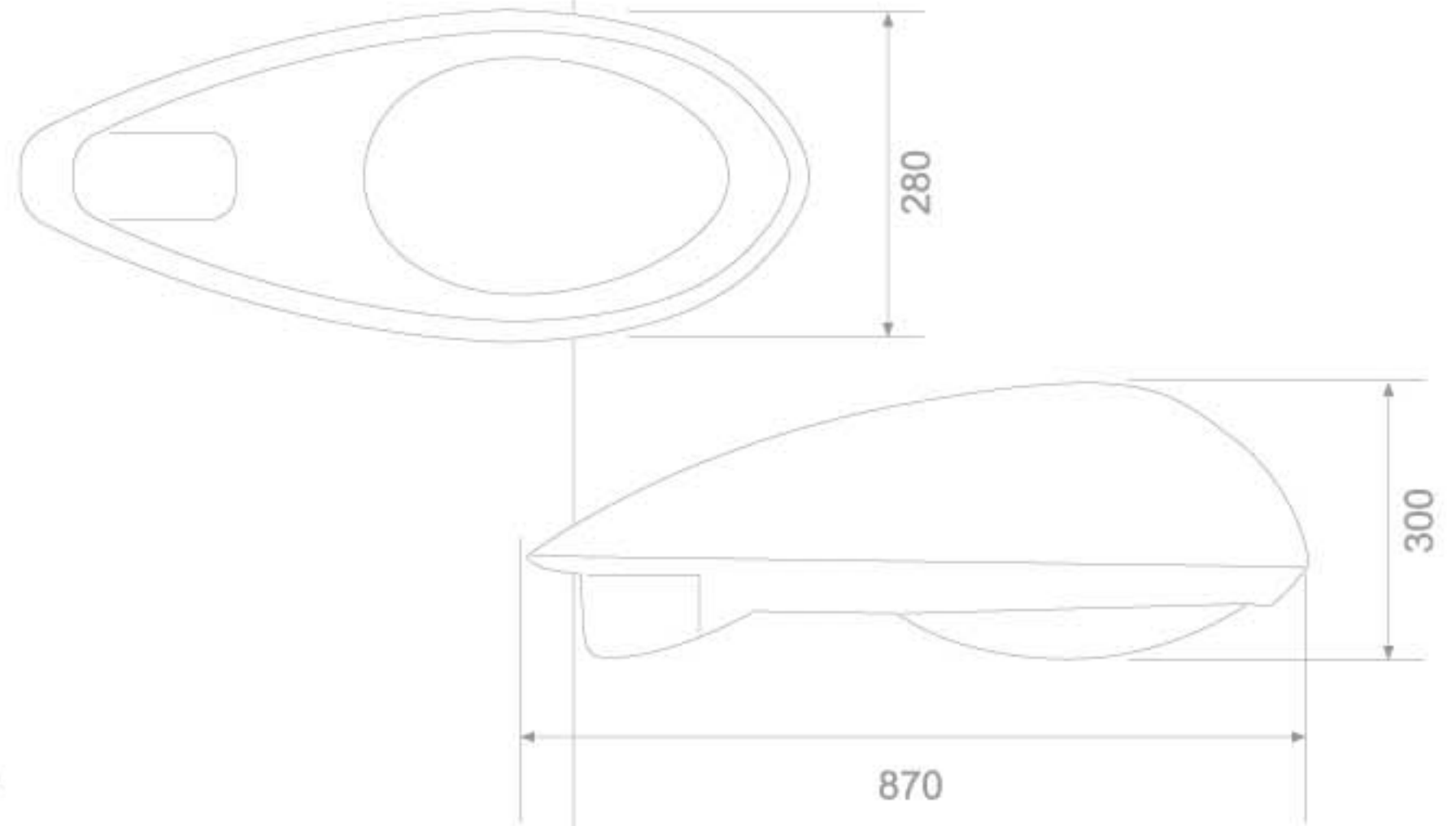
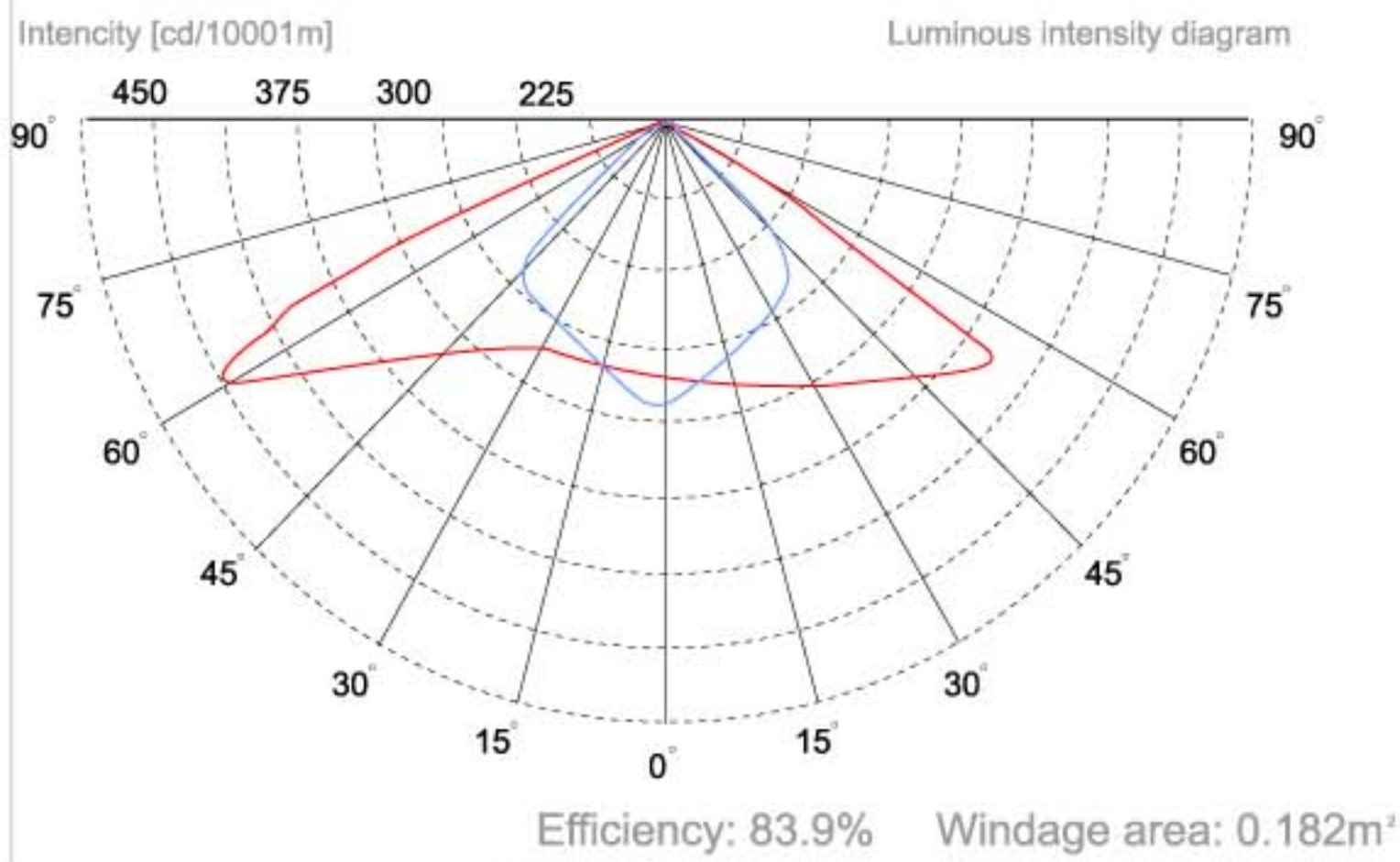
DECORATIVE AND FUNCTIONAL LANTERN



IP66 Optical System

IP44 Compartment System

Polar diagram KV Light GGE 838 (400W) cone measurement



Specification

- Body** : Composed of two directly joined die-cast parts with a gloss RAL 7.035 grey finish. Alternative colours of the same range to special order. Secured by a pressure lock made of anodised aluminium extrusion.
- Optical System** : Made up of a Hydro-formed anodised aluminium reflector, and a High-transmittance lenticular 5mm tempered glass protection cover.
- Lampholder Housing** : Made of highly heat-resistant plastic material. Includes a silicone gasket and a lamp holder.
- IP Standard** : Optical System IP66
Control Gear Compartment IP44
- Light Source** : 150W - 400W
- Finishing** : Any RAL - colour upon request.

Key Feature

1. Application from car parks, high ways, main roads, private roads, main traffic routes in city centres.
2. Gear tray removable for easy maintenance.
3. Low glare optics minimise the spread of light above horizontal.
4. Anodised and extruded aluminium front locking clip.
5. Arm pole mounting system \varnothing 60mm x 227mm



DECORATIVE AND FUNCTIONAL LANTERN



IP66 Optical System

IP55 Compartment System

Specification

1. The safety switch is installed between the upper and the bottom body of the fitting could have the electricity cut off automatically to safety when opened for maintenance.
2. Internationally well-known AMP connectors with "CCC" mark are used on the block terminal to secure the electricity.
3. Insulation protection class I for the steel gear plate and Class II for the plastic gear plate.
4. The lamp holder could be adjusted based on different lamps in order to achieve the best lighting output.
5. The reflector is designed by using first class designing software APILUX to have the favorable bat-wing light distribution and SCO. It could be extensively applying to highways, major traffic routes, business downtown, minor traffic routes as well as pedestrian ways, village and precinct areas.
6. The upper and bottom body of the fitting is made of die-casting aluminium, ADC 12 material, using our 1800T die-casting machine which imported from BUEHLER Switzerland to achieve exquisite structure and high intensity.
7. The Internationally well-known brand control gear such as Philips, VS GE is being used according to customer's requirements.
8. The reflector is made of high purity aluminium, anodised and chemically brightened to achieve the best lighting distribution. The sealed optical units with active carbon breather to achieve the rating IP66.
9. The full cut off tempered glass or flat tempered glass is made of non-metallic, heat resistant material. It could be applying to many situations.
10. A locking device is used to have the fitting easily opened and locked.

Key Feature

1. Optical compartment: IP66
2. Control gear compartment: IP55
3. Insulation Protection Grade: Class I. (Plastic gear plate for Class II)
4. Luminaire Wattage: 70W - 400W HPS or MH lamps
5. Lampholder: E40
6. Installation: Side-entry or post-top
7. The Luminaire has many mechanical configuration and lantern elevation: $-90 \sim 90$
8. Diameter 55 mm or Diameter 60 mm of the pole to match the installation of the fitting



DECORATIVE AND FUNCTIONAL LANTERN



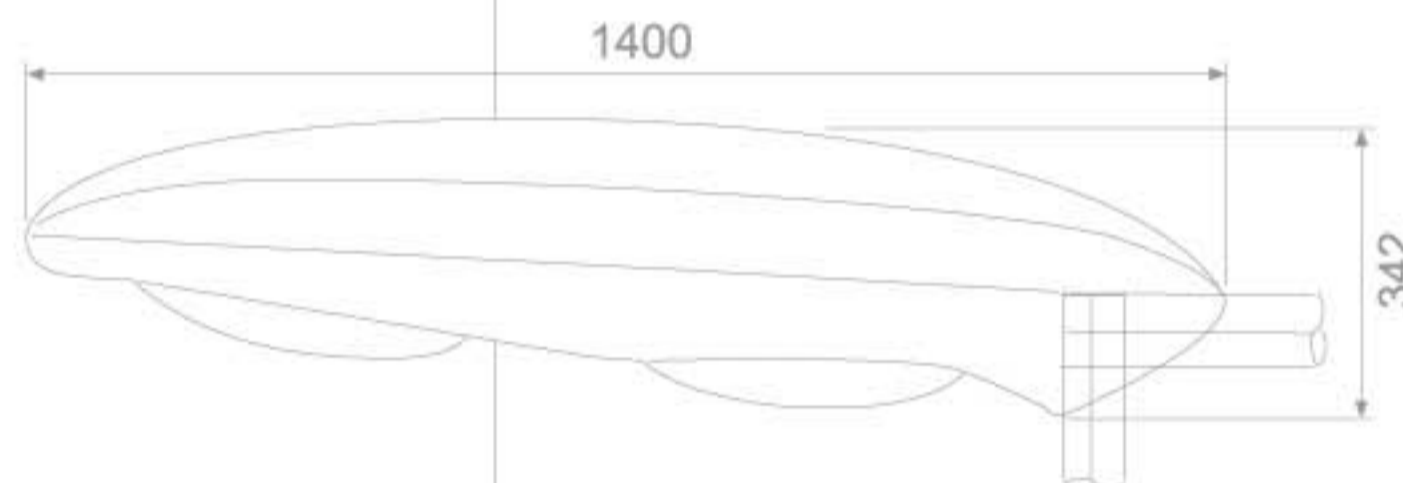
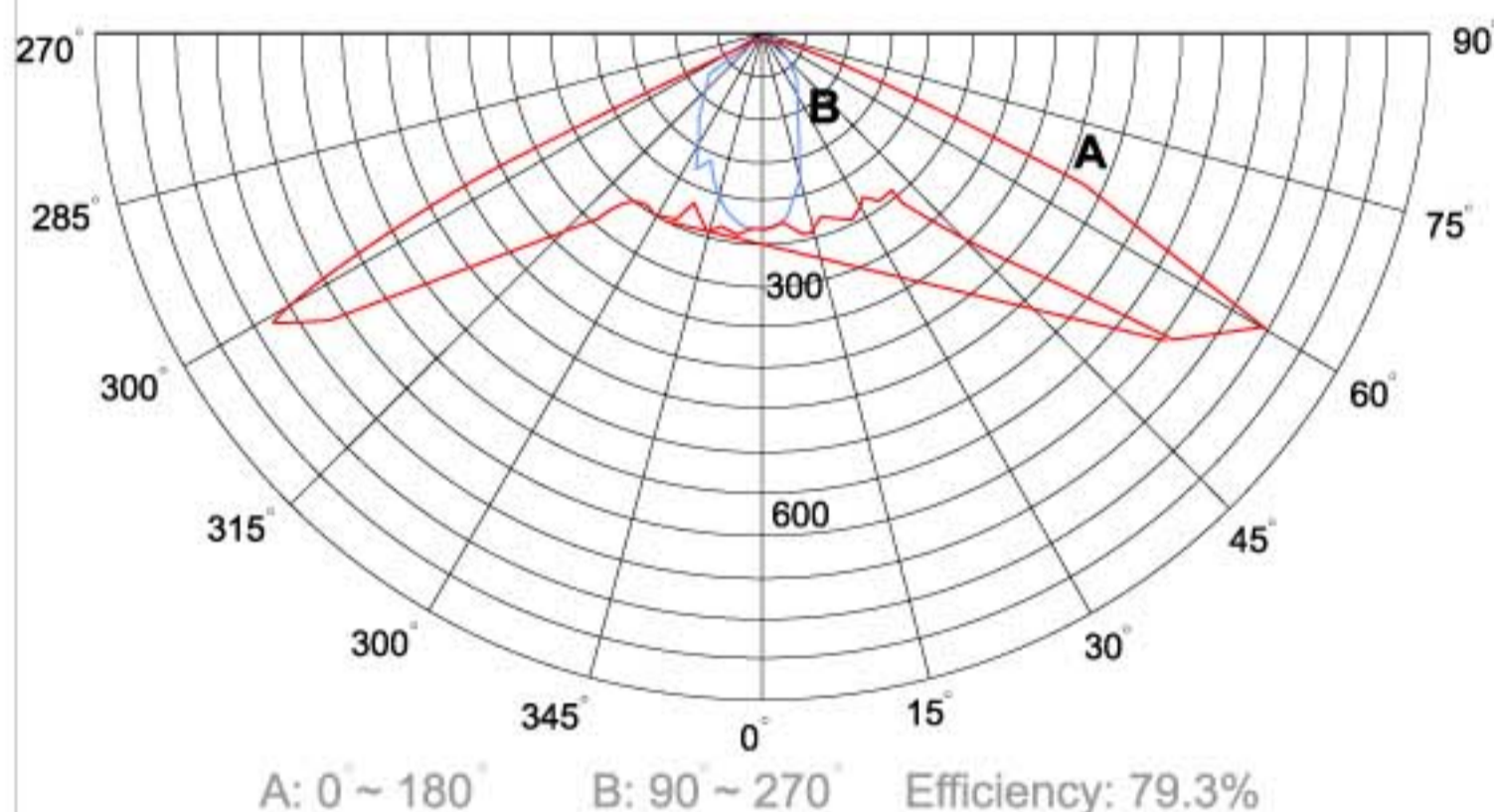
IP66 Optical System

IP44 Compartment System

Polar diagram KV Light GGE 866 (400W) cone measurement

Intensity [cd/10001m]

Luminous intensity diagram



Specification

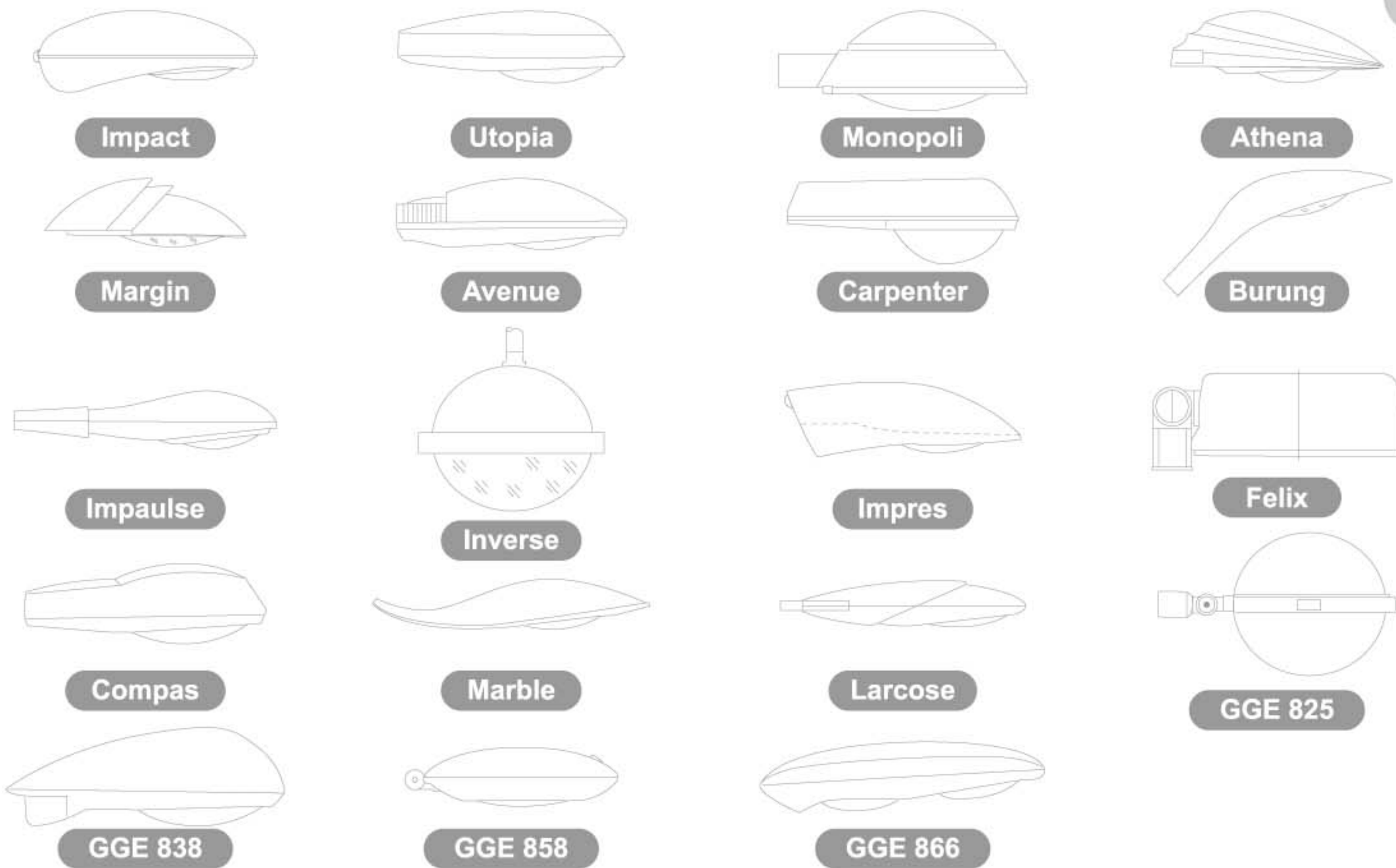
- Body : Composed of two directly joined die-cast parts with a gloss RAL 7.035 grey finish. Alternative colours of the same range to special order. Secured by a pressure lock made of anodised aluminium extrusion.
- Optical System : Made up of a Hydro-formed anodised aluminium reflector, and a High-transmittance lenticular 5mm tempered glass protection cover.
- Lampholder Housing : Made of highly heat-resistant plastic material. Includes a silicone gasket and a lamp holder.
- IP Standard : Optical System IP66
Control Gear Compartment IP44
- Light Source : 2 x 250W x 2 x 400W
- Finishing : Any RAL - colour upon request.

Key Feature

1. Application from car parks, high ways, main roads, private roads, main traffic routes in city centres.
2. Gear tray removable for easy maintenance.
3. Low glare optics minimise the spread of light above horizontal.
4. Anodised and extruded aluminium front locking clip.
5. Arm pole mounting system \varnothing 60mm x 150mm



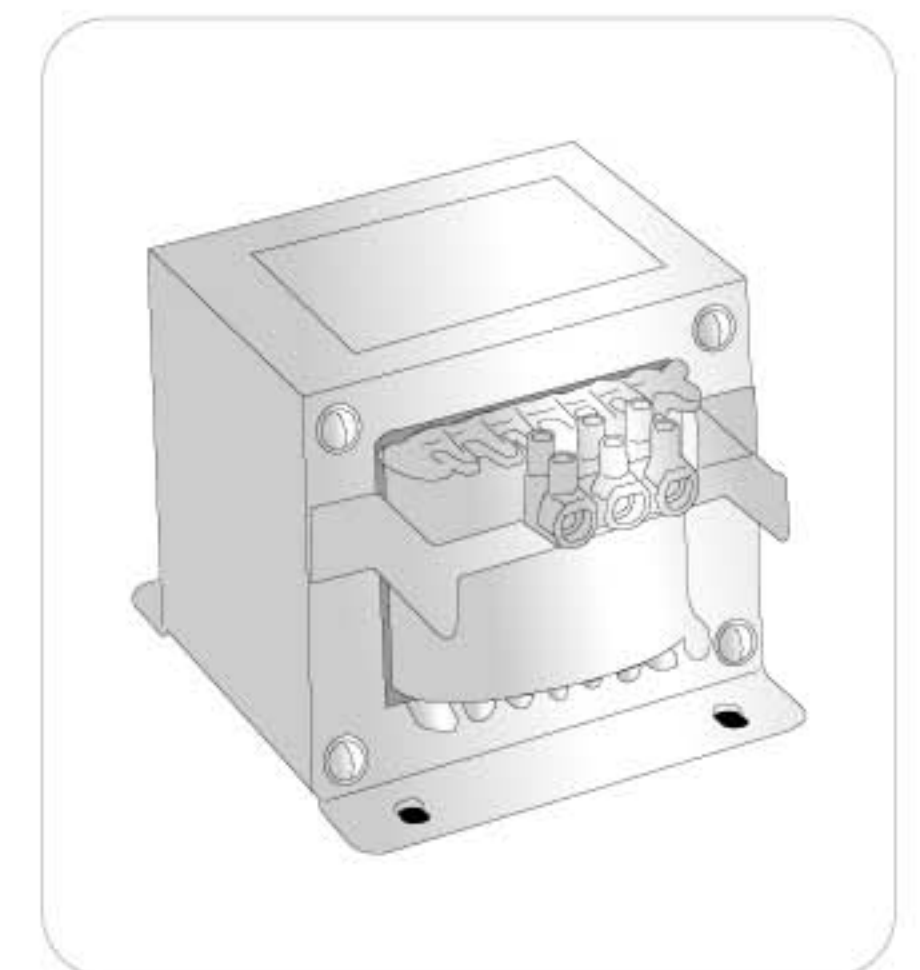
DECORATIVE AND FUNCTIONAL LANTERN



Capacitor: DNA, Comar



Ignitor: Barturgi, QPS, Refar



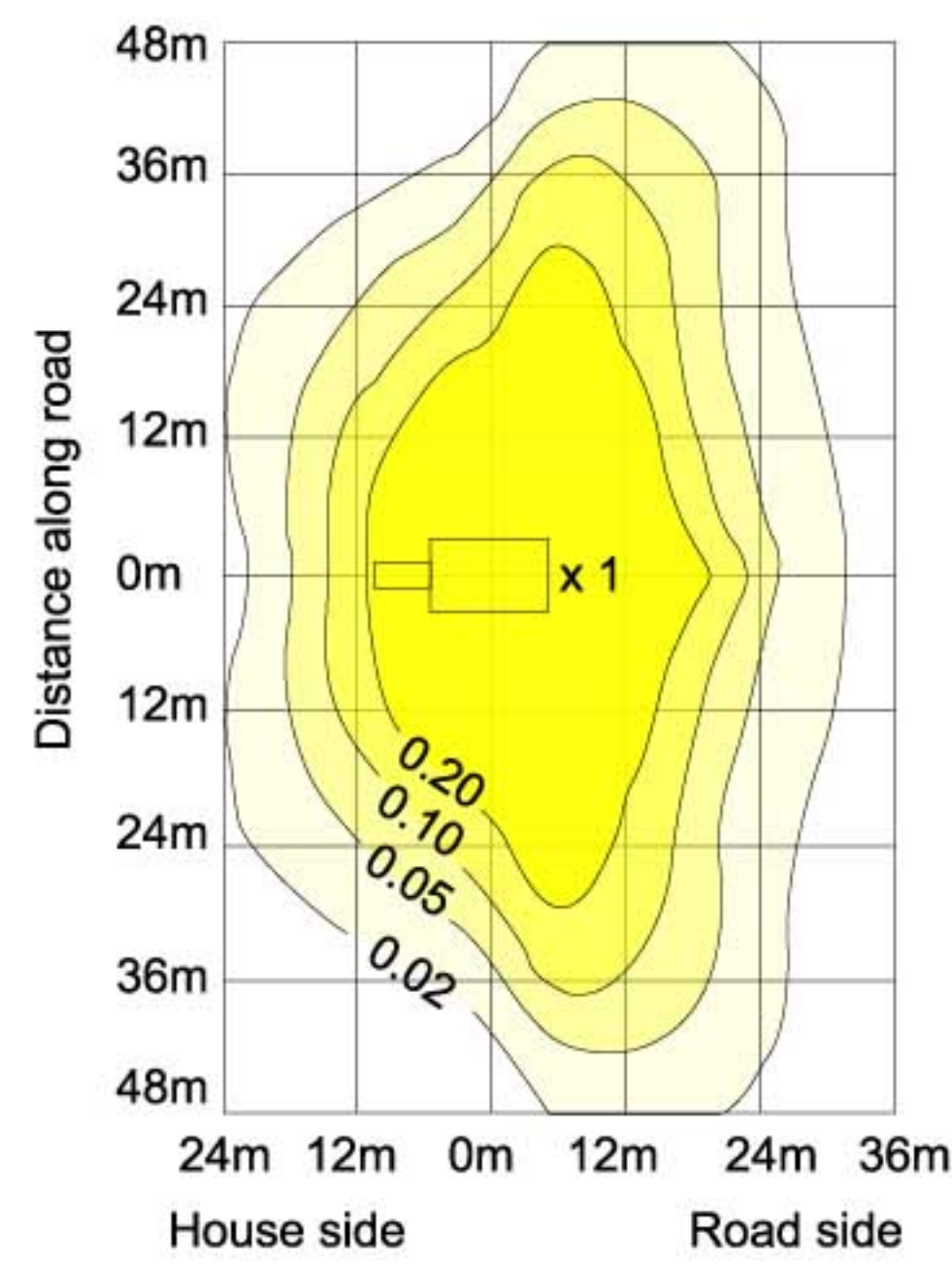
Ballast: Luxram, Nikon, QPS, Refar

KV Lantern Control Gear Specification

Utilisation Factors

Distance / Height	Road side	House side
W1 / H or W2 / H		
0.2	0.008	0.07
0.4	0.16	0.12
0.6	0.25	0.16
0.8	0.33	0.19
1.0	0.39	0.21
1.5	0.48	0.24
2.0	0.51	0.25
3.0	0.54	0.26
4.0	0.54	0.26

Photometric Data



Lantern Specification

Model	Power	Socket	Base	Manufacturer
Impact SL - 001	150W - 400W	SON		
Utopia SL - 002	70W - 250W	SON		
Monopoli SL - 003	70W - 250W	SON		
Athena SL - 004	150W - 600W	SON		
Margin SL - 005	150W - 400W	SON		
Avenue SL - 006	150W - 400W	SON		
Carpenter SL - 007	150W - 400W	SON		
Burung SL - 008	150W - 600W	SON		
Impulse SL - 009	150W - 400W	SON		
Inverse SL - 010	150W - 400W	SON	E 27	GE, Philips, Oram
Impres SL - 011	150W - 400W	SON	E 40	
Felix SI - 012	150W - 400W	SON		
Compres SL - 013	150W - 250W	SON		
Marble SL - 014	250W - 600W	SON		
Larcose SL - 015	250W - 400W	SON		
GGE 825	150W - 400W	SON		
GGE 838	150W - 400W	SON		
GGE 858	70W - 400W	SON		
GGE 866	2x250W - 2x400W	SON		

Model	Watt
SL - 001	150 - 400
SL - 002	70 - 250
SL - 003	70 - 250
SL - 004	150 - 600
SL - 005	150 - 400
SL - 006	150 - 400
SL - 007	150 - 400
SL - 008	150 - 600
SL - 009	150 - 400
SL - 010	150 - 400
SL - 011	150 - 400
SL - 012	150 - 400
SL - 013	150 - 250
SL - 014	250 - 600
SL - 015	250 - 400
GGE 825	150 - 400
GGE 838	150 - 400
GGE 858	70 - 400
GGE 866	2x250 - 2x400